

	Power Dissipation Derating ($T_a = 25^\circ\text{C}$)	$P_D/$	-3.33	mW/
--	--	--------	-------	-----

Total Power Dissipation

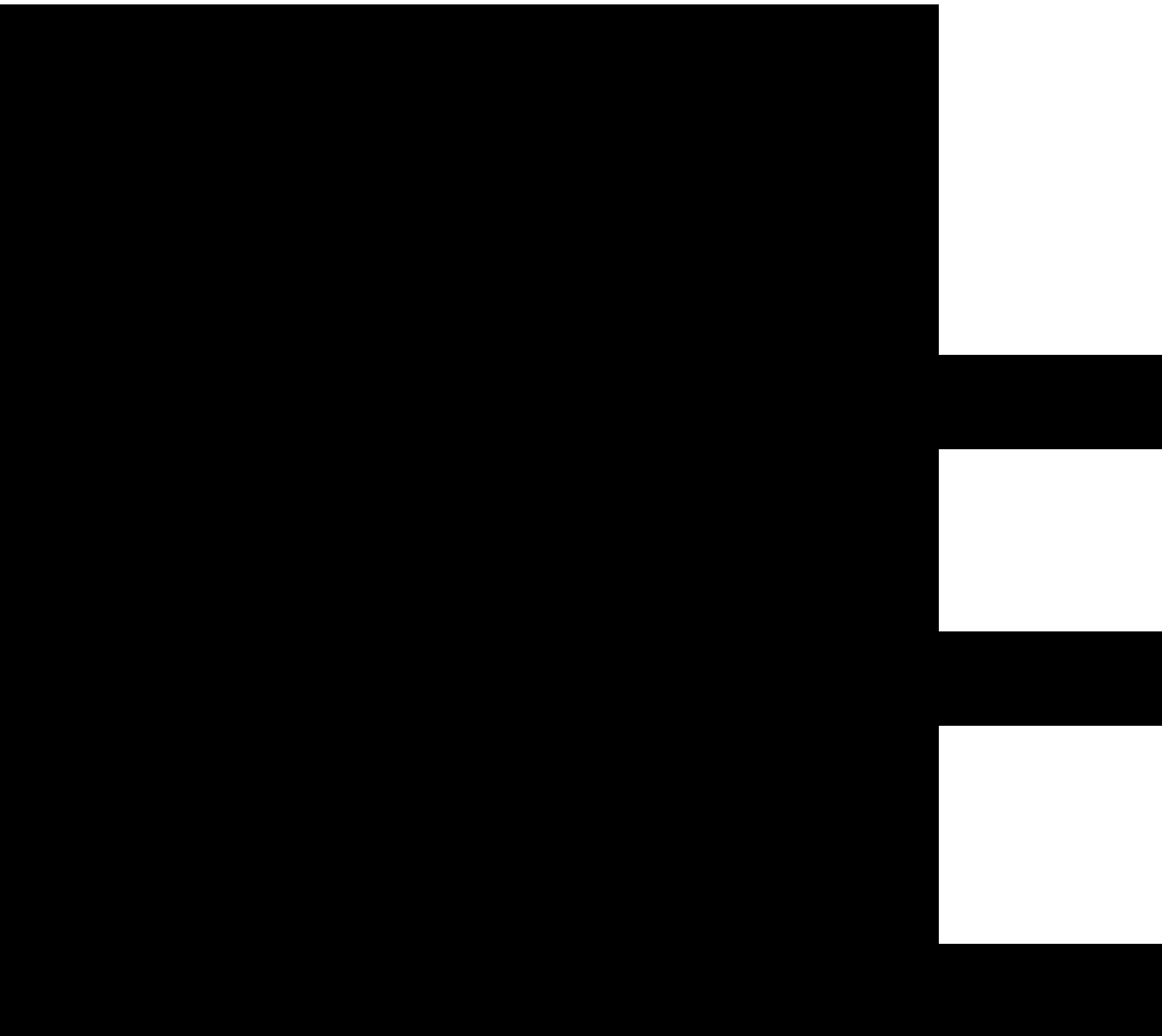


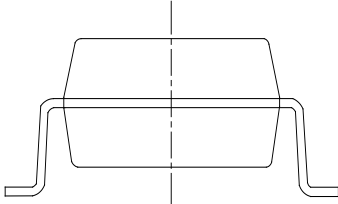
FIG.12: Test Circuits of Turn On Time

FIG.13: Waveforms of Turn On Time

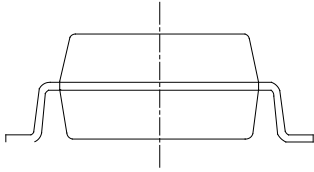
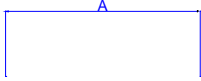
Fig.14: Test Circuits of dV/dt

Fig.15: Waveforms of dV/dt

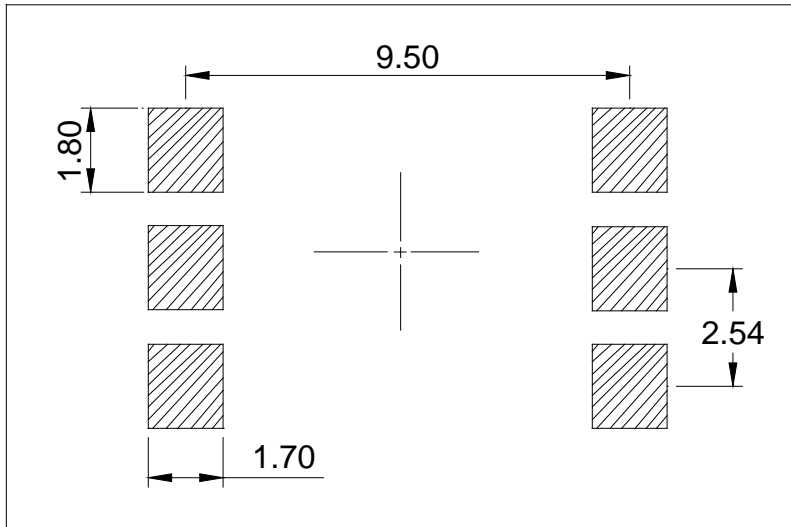
Option S Type:



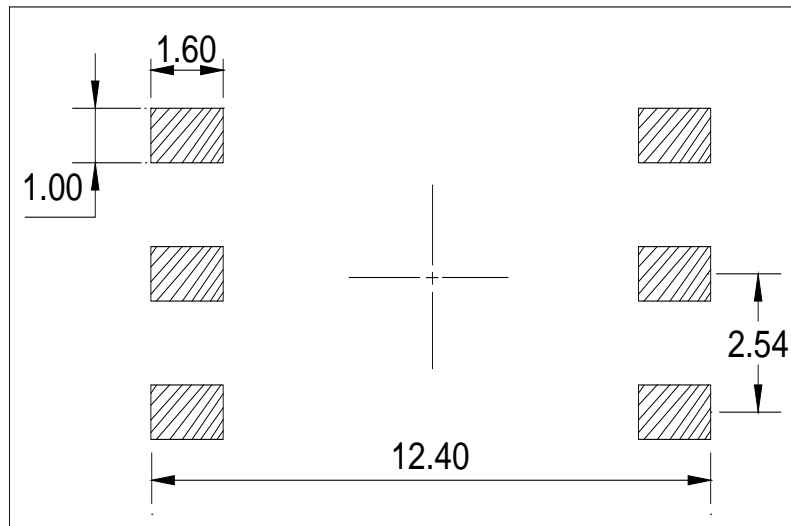
Option SLM Type: Dimensions Millimeters Inches Ref. Min. Typ. Max. Min. Typ. Max.



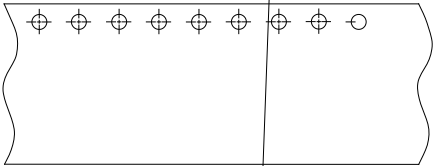
Option SL

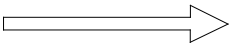
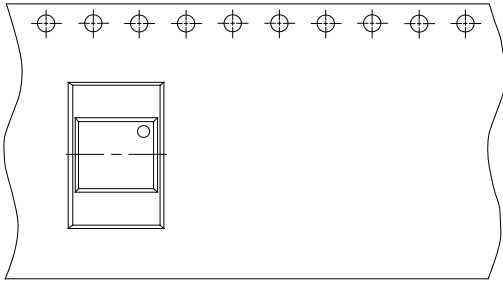


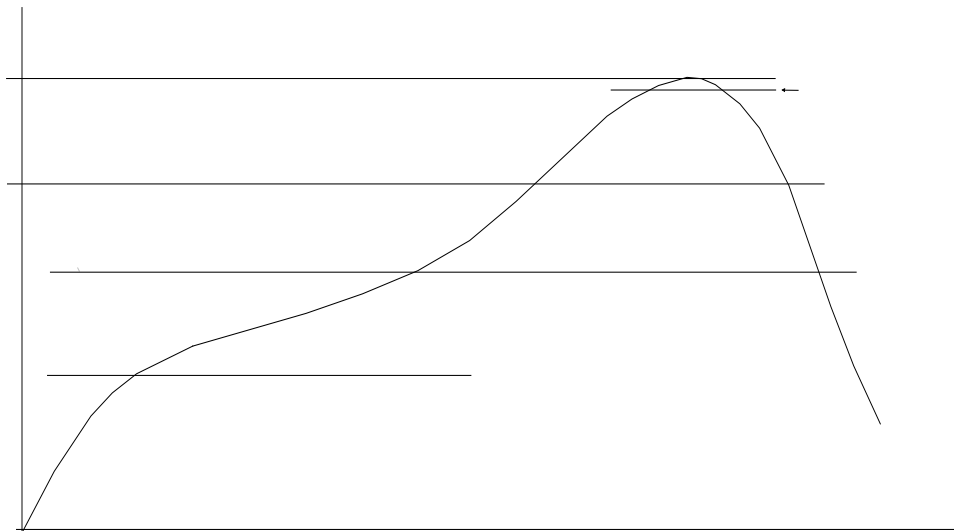
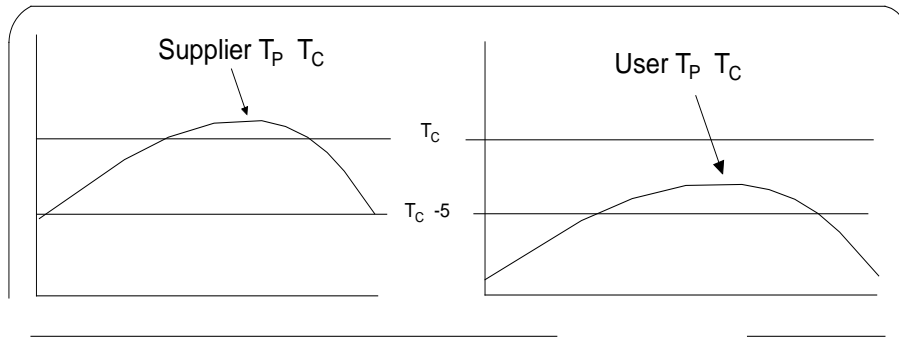
Option SLM

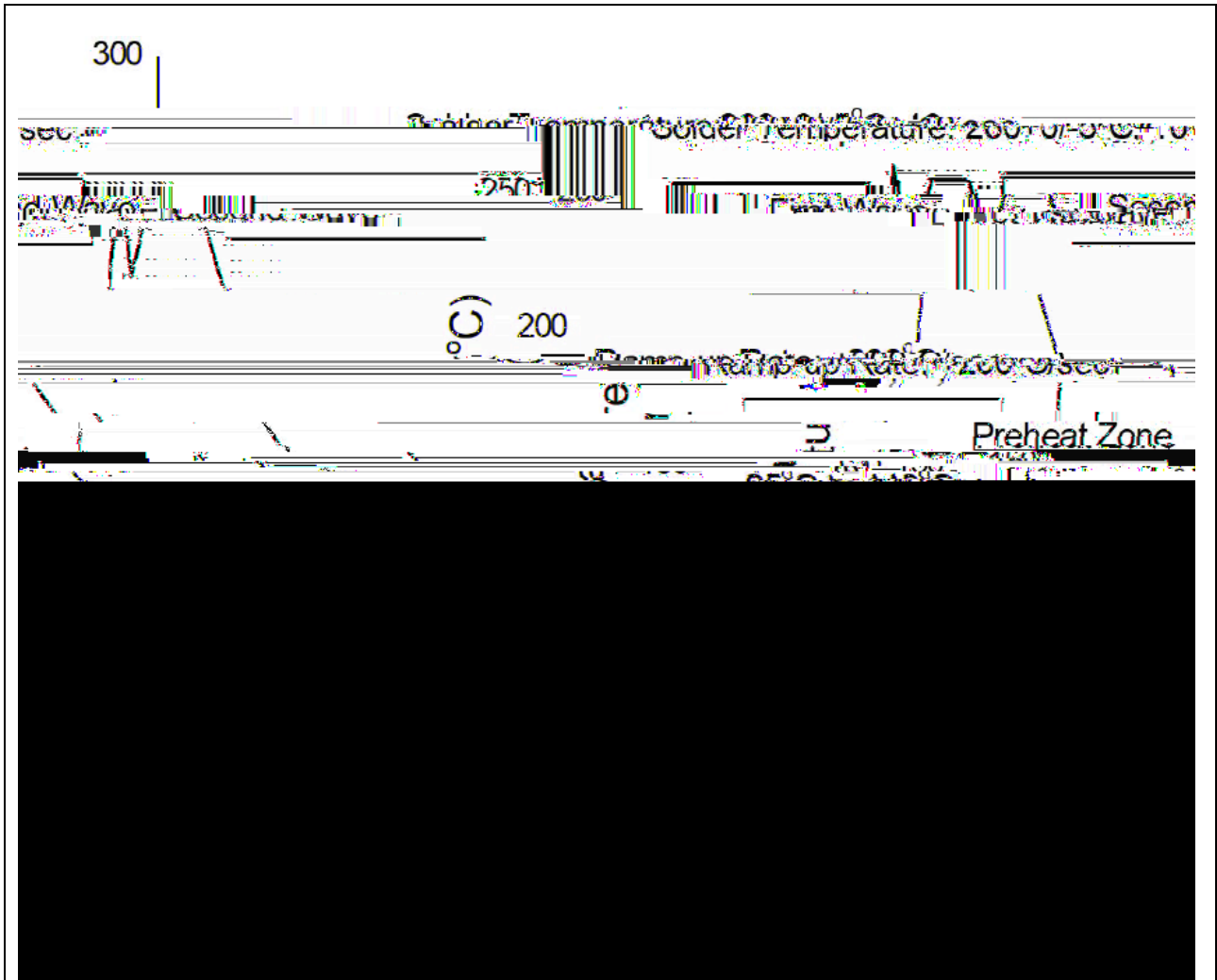


S









Soldering Temperature	360± 5
Soldering Time	3s max.

Document Revision History

Date	Revision	Changes
Apr.2, 2025	A.1.0	Last update
Nov.5, 2025	A.1.1	Add S&SLM package

Information furnished in this document is believed to be accurate and reliable. However, Jiangsu JieJie Microelectronics Co., Ltd. assumes no responsibility for the consequences of use without consideration for such information nor use beyond it. Information mentioned in this document is subject to change without notice, apart from that when an agreement is signed, Jiangsu JieJie complies with the agreement.

Products and information provided in this document have no infringement of patents.

on pr dodud(i)6 ((f)2 (or)7 (m)-3 (a)10 (t)2 (i)6 2 (.)JTJ 0 Tc 0 5.24.07 0 Td ()-c -0.004 Tc-0.002 T.19