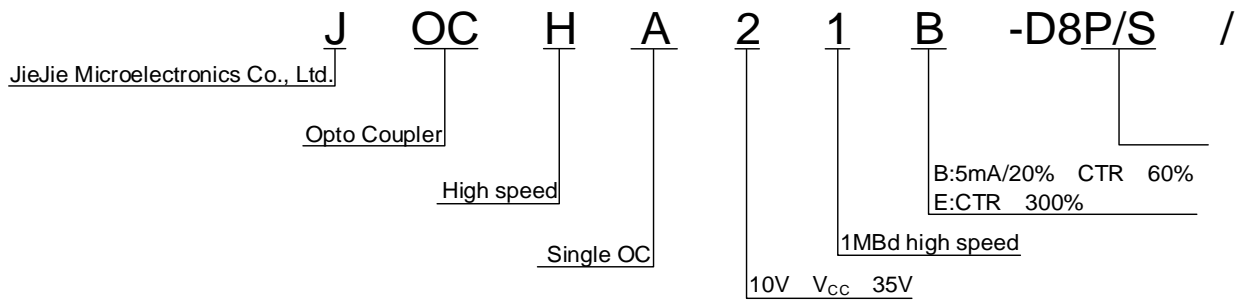






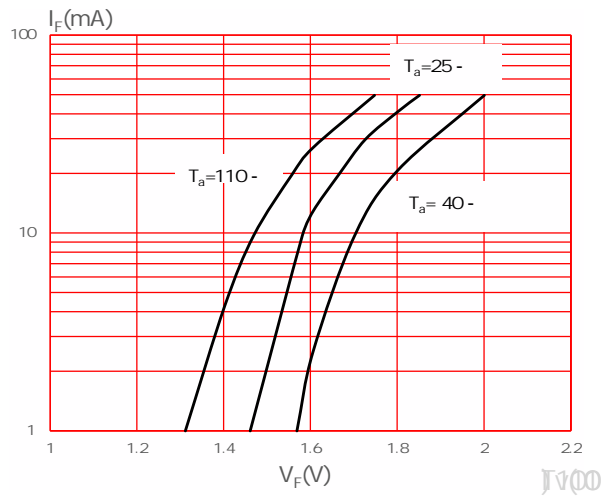
	Logic Low Output Voltage	$V_{OL}$	$I_F=16mA, I_O=2.4mA,$ $V_{CC}=4.5V$	-	-	0.4	V
	Isolation Resistance	$R_{ISO}$	DC500V 40~60%R.H.	$10^{12}$	$10^{14}$	-	
	Floating Capacitance	$C_{IO}$	$V=0, f=1MHz$	-	0.8	-	pF
Switching Characteristics	Propagation Delay Time to Logic Low	TPHL	$I_F=0\ 16mA,$ $R_L=1.9k,$ $V_{CC}=5V$	-	-	0.8	$\mu s$
	Propagation Delay Time to Logic High	TPLH	$I_F=16\ 0mA,$ $R_L=1.9k,$ $V_{CC}=5V$	-	-	0.8	$\mu s$
	Common Mode Transient Immunity at Logic High	CMH	$I_F=0mA,$ $V_{CM}=400Vpp,$ $R_L=4.1k$	15	20	-	kV/ $\mu s$
	Common Mode Transient Immunity at Logic Low	CML	$I_F=16mA,$ $V_{CM}=400Vpp,$ $R_L=4.1k$	-15	-20	-	kV/ $\mu s$

OkDEkIV8 IV70kU ATIOV

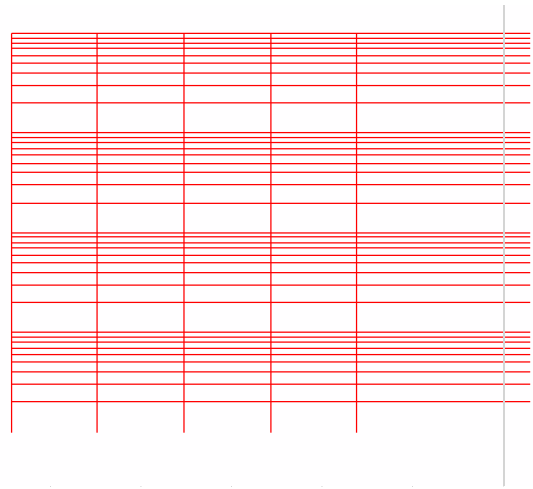


#hara teristi s#ur es

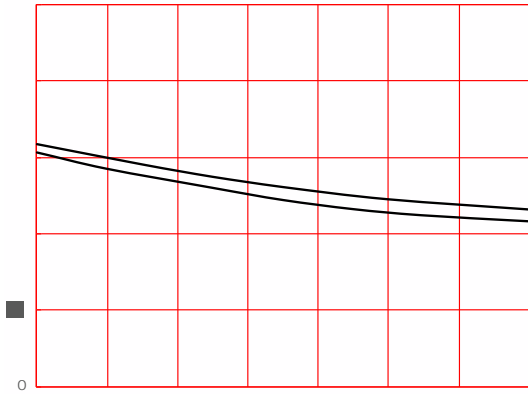
**FIG.1:** Forward Current vs. Forward Voltage



**FIG.2:** High Level Output Current vs. Ambient Temperature



**FIG.7:** Low Level Output Voltage vs. Ambient Temperature

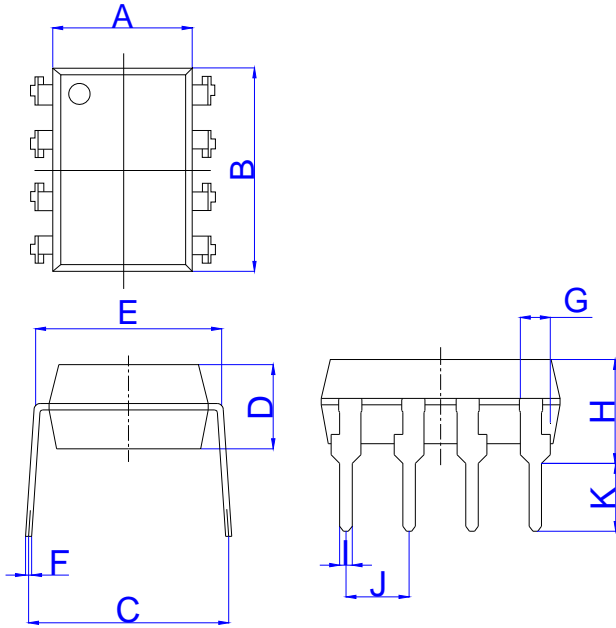


**FIG.8:** Propagation Delay vs. Load Resistance



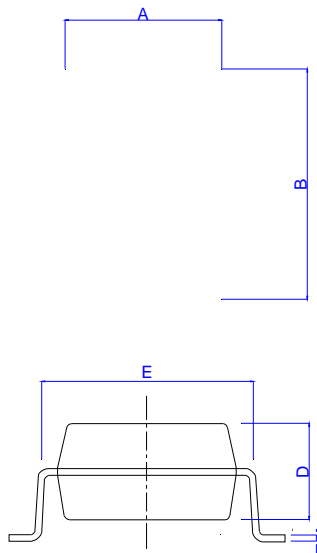
Package Description Unit: \_\_\_\_\_

**Standard DIP Type:**

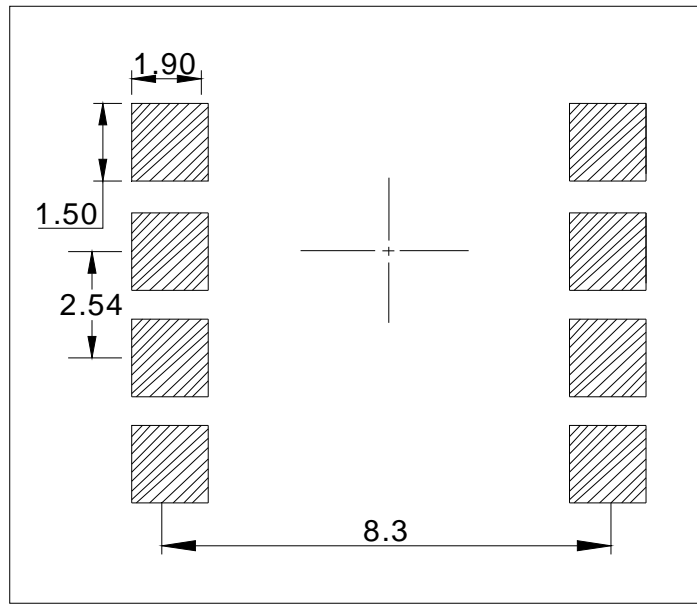


Ref.	Dimensions					
	Millimeters			Inches		
	Min.	Typ.	Max.	Min.	Typ.	Max.
A	6.20		6.60	0.244		0.260
B	9.40		9.80	0.370		0.386
C	7.15		8.95	0.281		0.352
D	3.20		3.60	0.126		0.142
E	7.32		7.92	0.288		0.312
F	0.15		0.35	0.006		0.014
G	0.90		1.50	0.035		0.059
H	3.90		4.50	0.154		0.177
I	0.40		0.60	0.016		0.024
J	2.29		2.79	0.090		0.110
K	2.24		3.24	0.088		0.128

**Option SMD Type:**

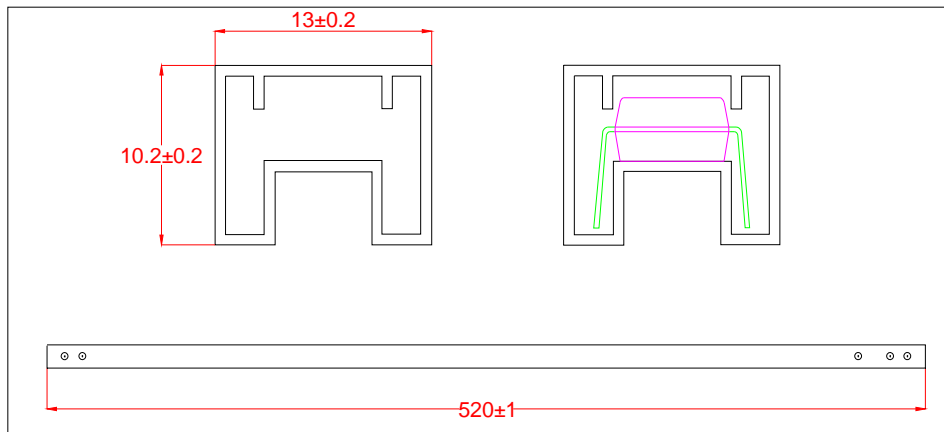


JEDEC SOLDED LEAD DIMENSIONS unless otherwise stated



UNITS OF MEASUREMENT DIMENSIONS unless otherwise stated

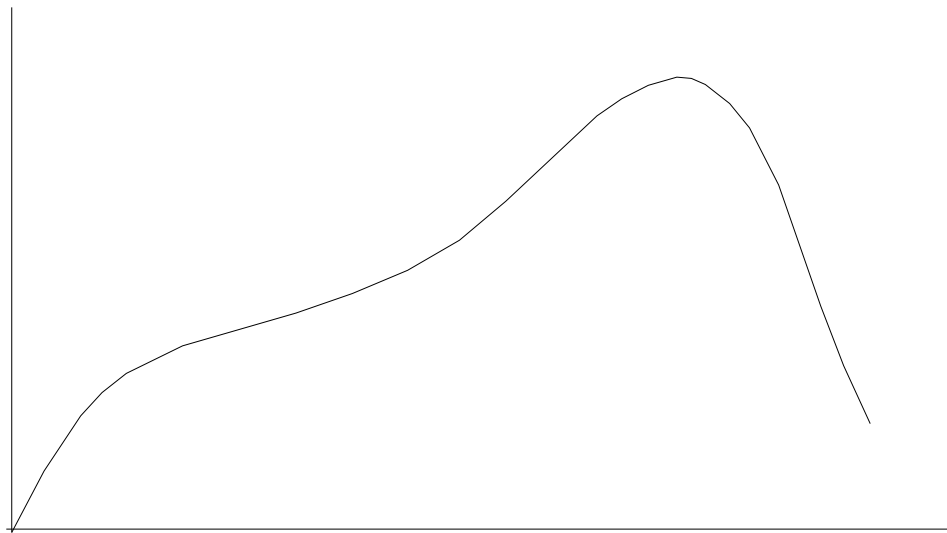
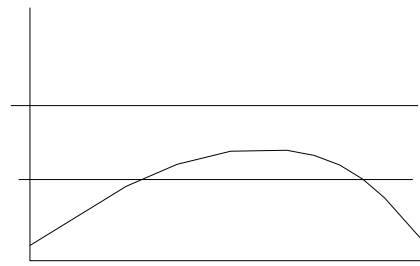
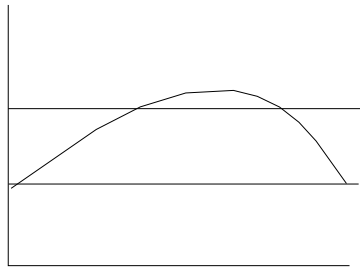
Standard DIP



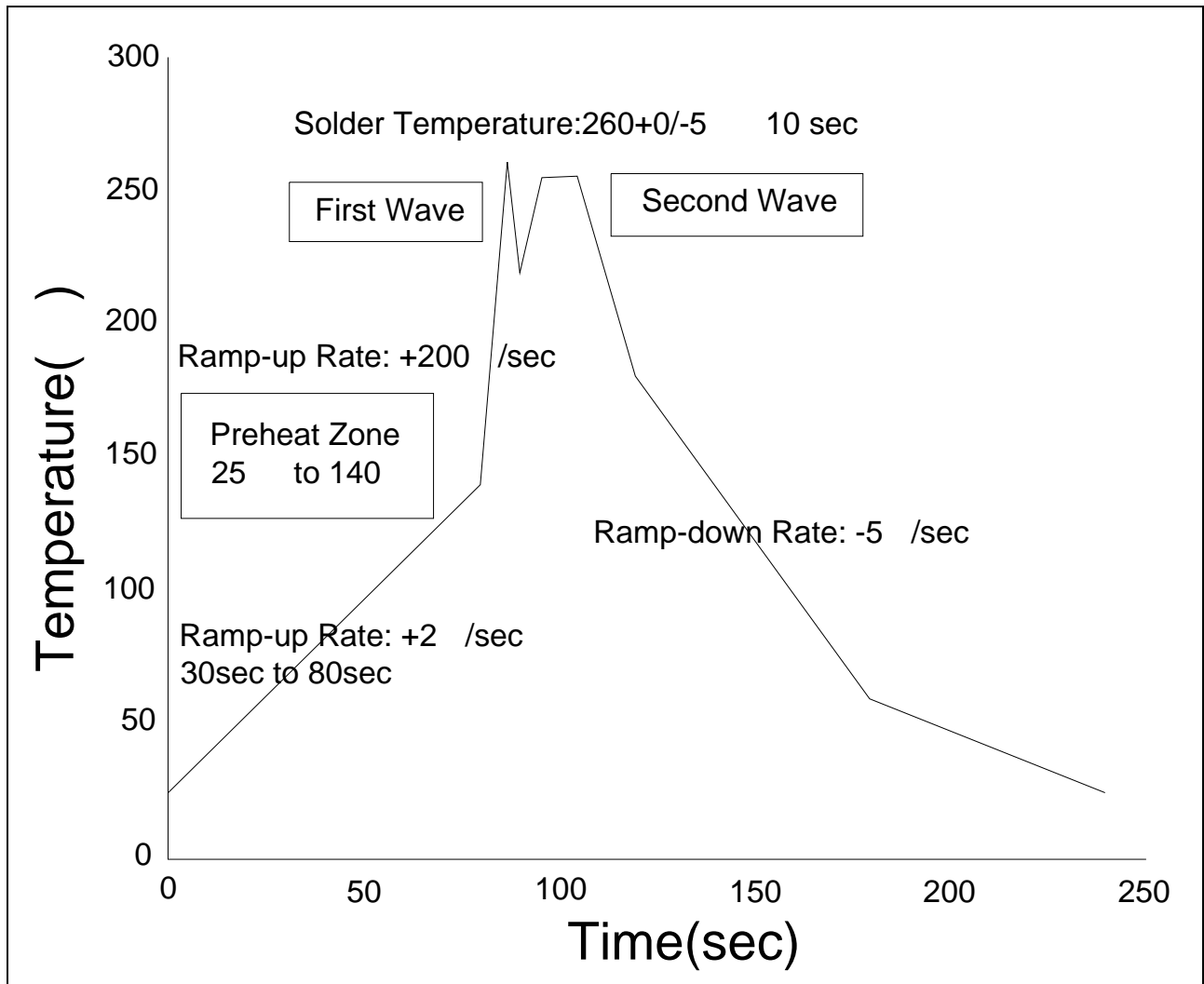
#AkkIEk TAPE SPE#171#ATIOVS Di e sio si u less other ise stated

Ref.	Dimensions					
	Millimeters			Inches		
	Min.	Typ.	Max.	Min.	Typ.	Max.
D0		1.50			0.059	
P0		4.00			0.157	
P1		12.00			0.472	
P2		2.00			0.079	
E		1.75			0.069	
F		7.50			0.295	
T		0.40			0.016	
W	15.90	16.00		0.626	0.630	

JE7LO† IV70kU ATIOV > C 7<



‡ A†E SOLDEKIV8



HAVD SOLDEKIV8 " ' SOLDEKIV8 IKOV

Soldering Temperature	360 5
Soldering Time	3s max.

**JOCHA21X**