



JOCMBXXC-D8P/S Series

Rev.A.1.0

The products are 8-pin optical relays. The device consists of an AlGaAs infrared emitting diode input stage optically coupled to a high-voltage output detector circuit in a plastic DIP8 package with different lead forming options. The detector consists of a high-speed photovoltaic diode array and driver circuitry. The products are widely used in isolation in high-speed inspection machines, telephones equipment and computers.

High isolation 5000 Vrms

Wide variation of load voltage 60V to 600V

Operating temperature range -40°C to 110°C

REACH & RoHS compliance

HBM: H3A; MM: M4; CDM: C3

CQC approved

VDE approved

UL approved

	JOCMB74C		0.1	
	JOCMB83C		0.05	
	Output Power Dissipation	P _o	800	mW
Total Power Dissipation		P _{tot}	875	mW
Isolation Voltage		V _{iso}	5000	V _{rms}
Operating Temperature		T _{opr}	-40~110	
Junction Temperature		T _j	125	
Storage Temperature		T _{stg}	-40~125	
Soldering Temperature		T _{sol}	260	

- . 100μs pulse, 100Hz frequency
- . AC for 1minute, R.H.=40~60%

(Temperature=25°C)

Parameter	Symbol	Condition	Min.	Typm	M
-----------	--------	-----------	------	------	---

JOCMBXXC

FIG.7: Turn On Time vs. Ambient Temperature

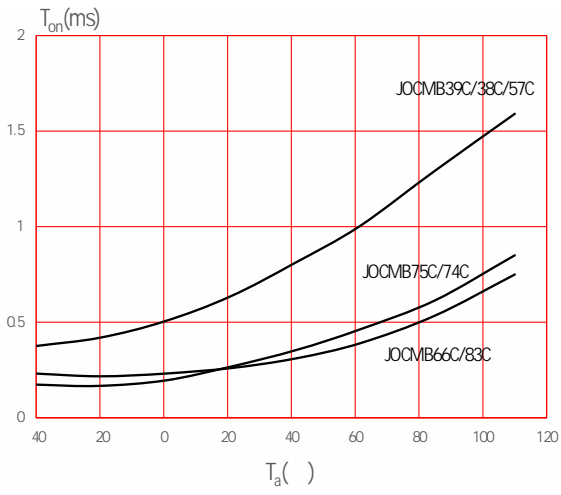
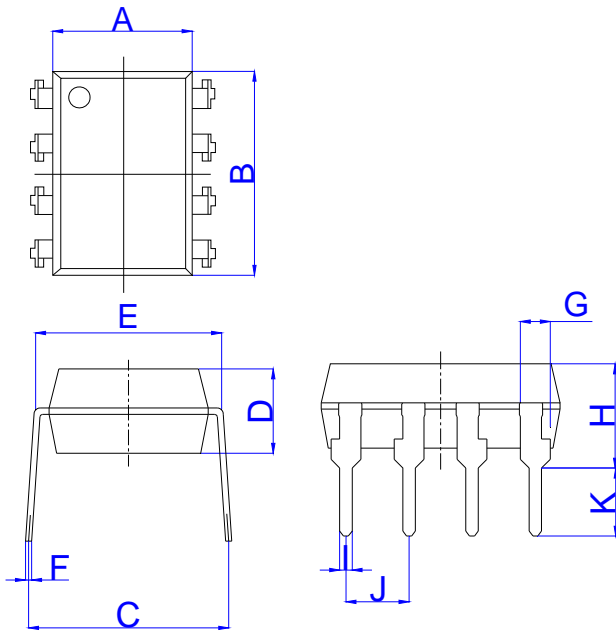


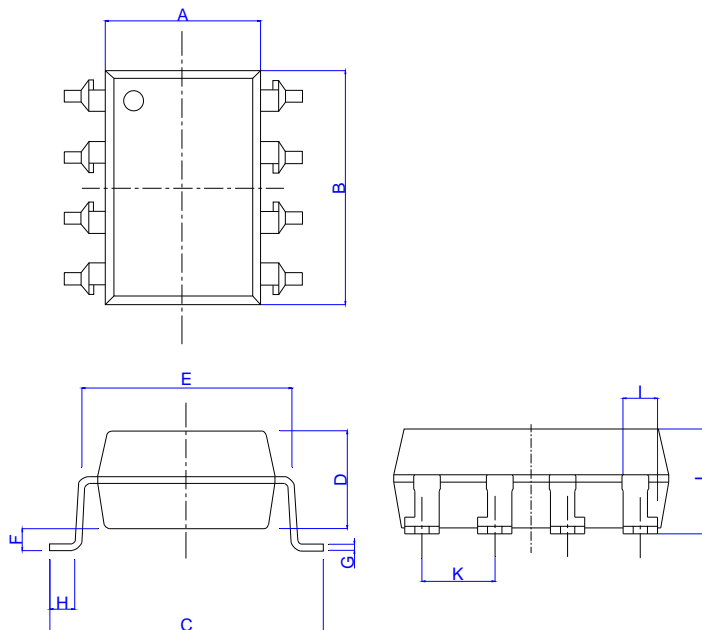
FIG.8: Turn Off Time vs. Ambient Temperature

Standard DIP Type:

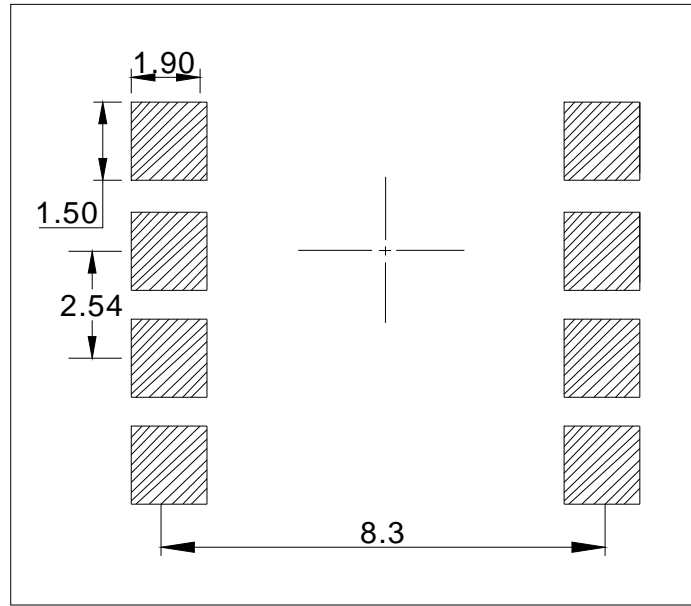


Ref.	Dimensions					
	Millimeters			Inches		
	Min.	Typ.	Max.	Min.	Typ.	Max.
A	6.20		6.60	0.244		0.260
B	9.40		9.80	0.370		0.386
C	7.15		8.95	0.281		0.352
D	3.20		3.60	0.126		0.142
E	7.32		7.92	0.288		0.312
F	0.15		0.35	0.006		0.014
G	0.90		1.50	0.035		0.059
H	3.90		4.50	0.154		0.177
I	0.40		0.60	0.016		0.024
J	2.29		2.79	0.090		0.110
K	2.24		3.24	0.088		0.128

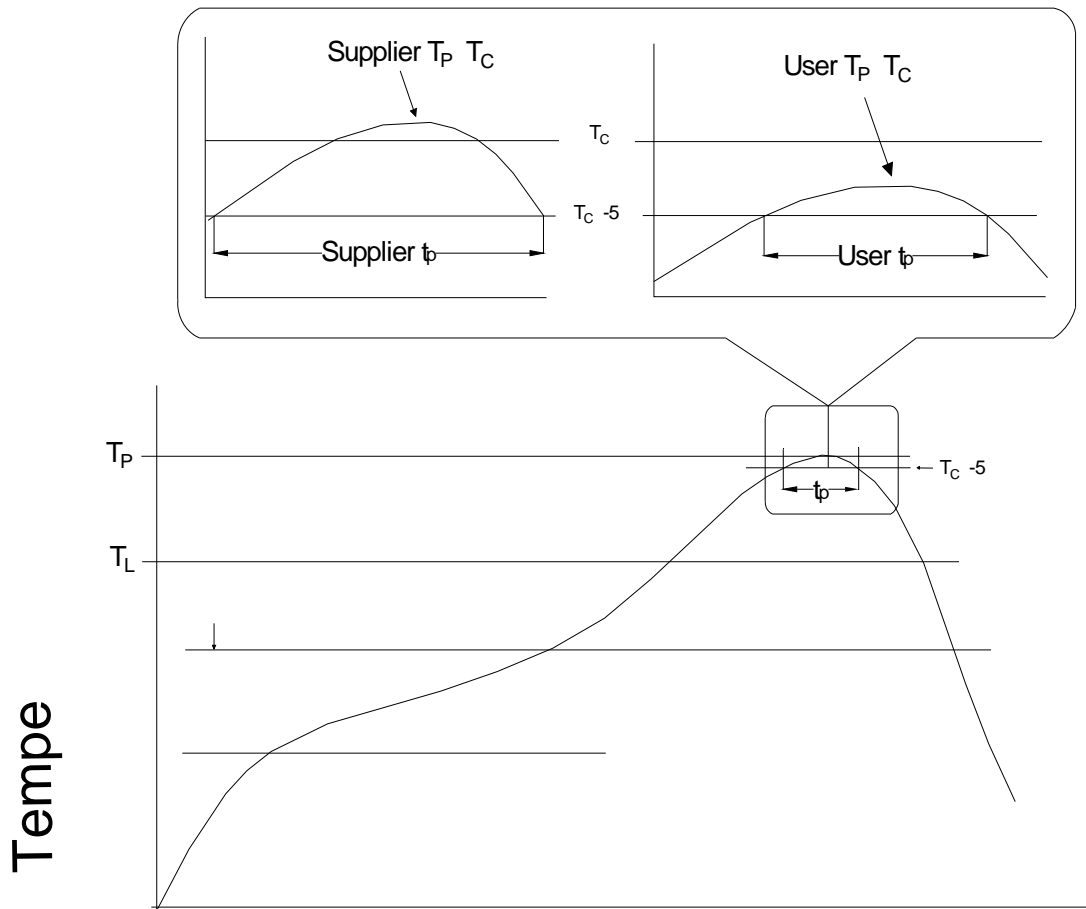
Option SMD Type:

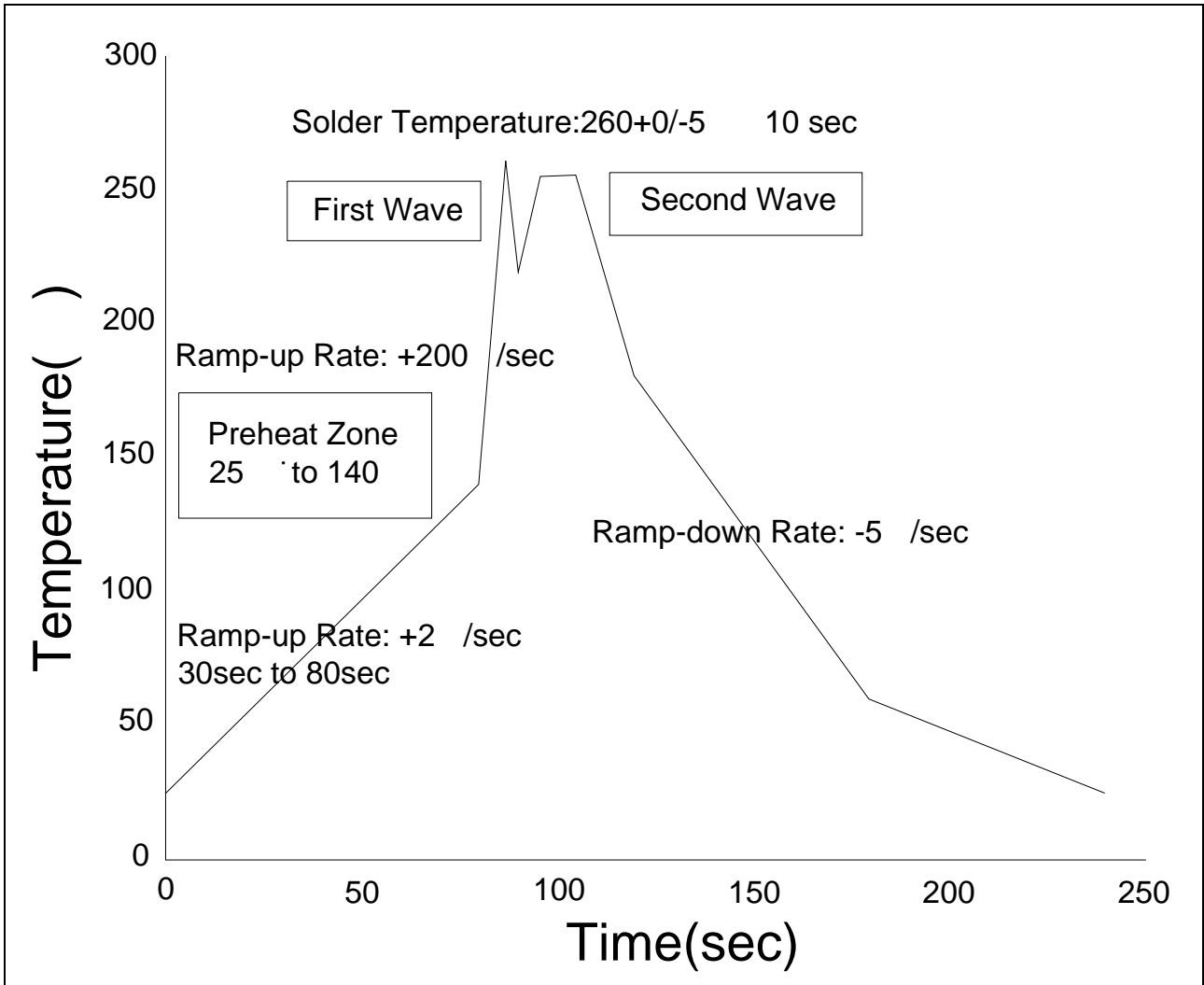


Ref.	Dimensions					
	Millimeters			Inches		
	Min.	Typ.	Max.	Min.	Typ.	Max.
A	6.20		6.60	0.244		0.260
B	9.40		9.80	0.370		0.386
C	9.50		10.50	0.374		0.413
D	3.20		3.60	0.126		0.142
E	7.32		7.92	0.288		0.312
F	0.05		0.35	0.002		0.014
G	0.16		0.36	0.006		0.014
H	0.60		1.40	0.024		0.055
I	0.90		1.50	0.035		0.059
J	3.30		3.90	0.130		0.154
K	2.29		2.79	0.090		0.110



Ref.	Dimensions					
	Millimeters			Inches		
	Min.	Typ.	Max.	Min.	Typ.	Max.
D0		1.50			0.059	
P0		4.00			0.157	
P1		12.00			0.472	
P2		2.00			0.0787	0.00
E						
F						
W		16.00			0.630	





Soldering Temperature	360w 5
Soldering Time	3s max.

Note:

1. Reflow soldering is recommended at the temperatures and times shown, no more than three times.
2. Avoid direct contact between the epoxy body and any tools or surfaces exceeding its maximum