

JIEJIE MICROELECTRONICS CO., LTD.

Isolation Voltage [V]	V_{iso}	5000	Vrms
Operating Temperature	T_{opr}	-40 r 110	
Junction Temperature	T_j	125	
Storage Temperature	T_{st}	-40 r 125	
Soldering Temperature	T_{sol}	260	
Peak pulse voltage [V] f = 100 kHz / non-repetitive, 10% duty cycle	V_{pp}	3	V

b \ u 9

l

b \ u 9 ° /

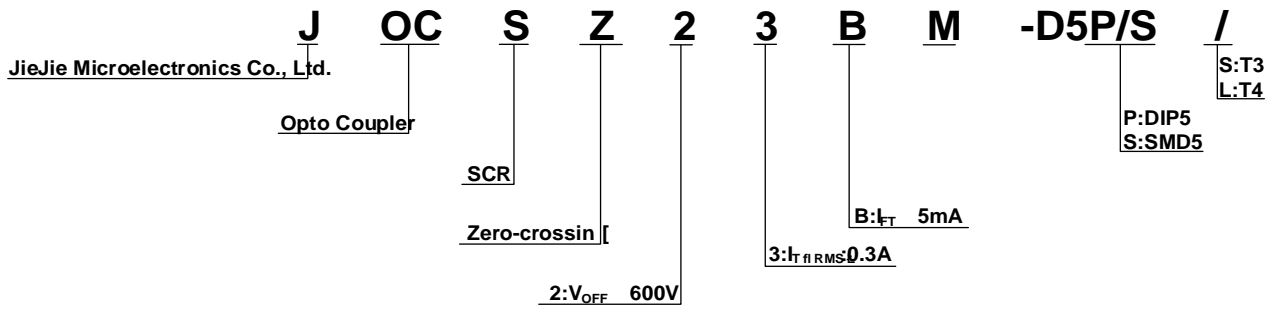
k l

909 / u k L / ° O / l ° k ° / u 9 k l o p e r a t i o n t e m p e r a t u r e 1 2 5 š C Ł

Parameter Symbol Condition Min. Typ. . . . °



\ k 59 k L b D L b C \ k a ° u L \ b



/

/

FIG.1: Max. Allowable LED Forward Current vs. Ambient Temperature

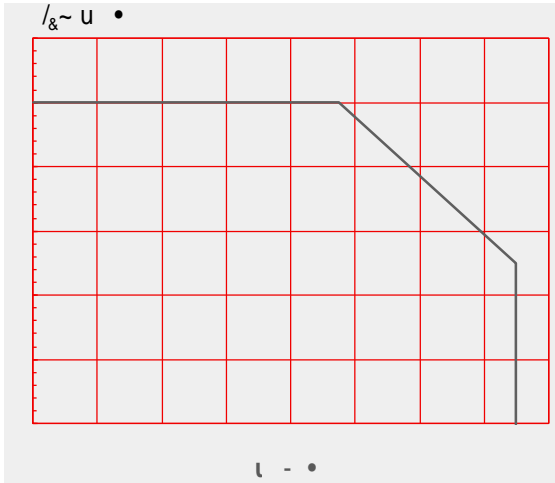


FIG.2: On-state Terminal Current vs. Ambient Temperature

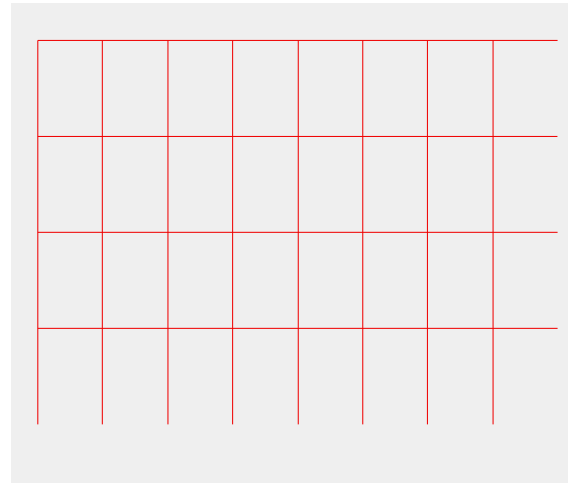


FIG.7: On-state characteristics

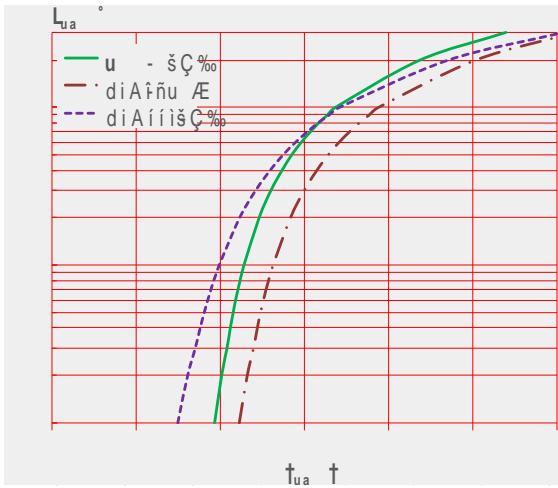


FIG.8: Normalized I_{ua} vs. Ambient Temperature



u9o u /L k /y Lu o

FIG.11: Test Circuits o Z Turn On Time

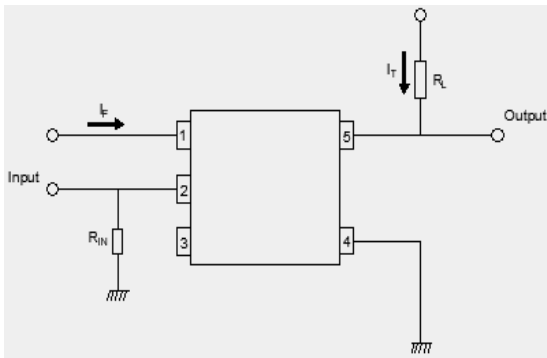


FIG.12: Kave Z orms o Z Turn On Time

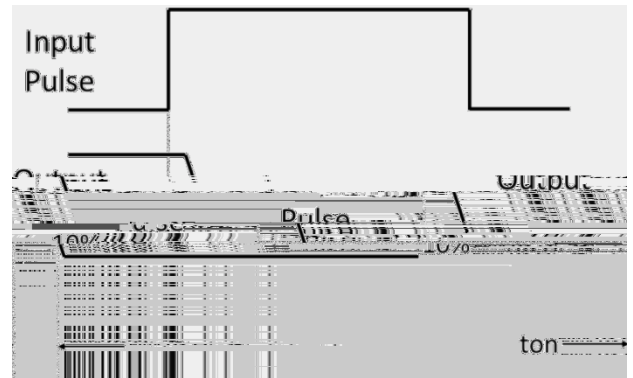
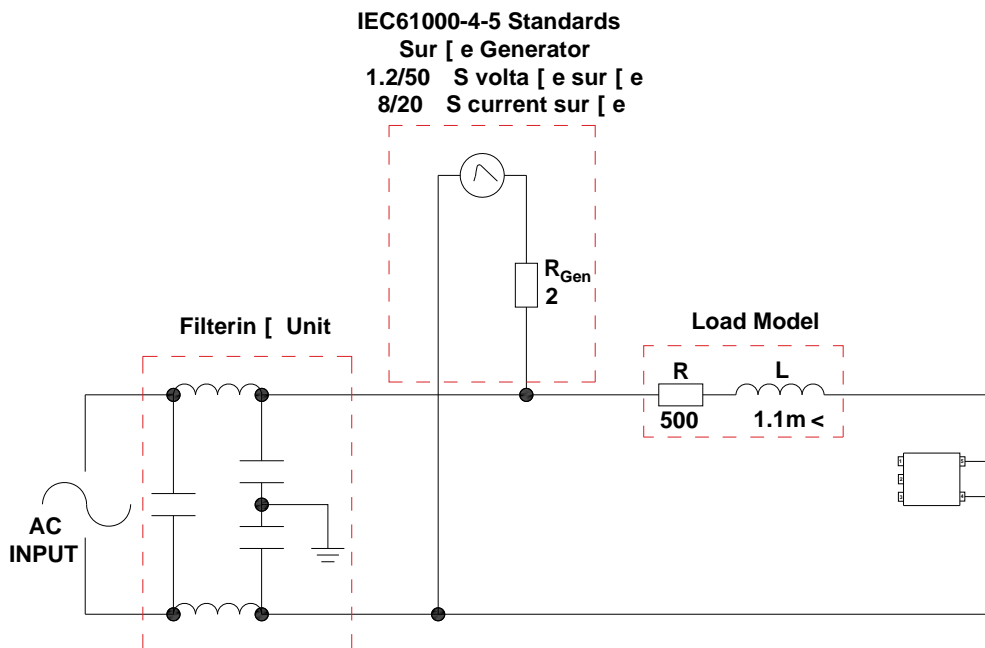


FIG.13: Test circuit Z or inductive and resistive loads to IEC-61000-4-5 standards

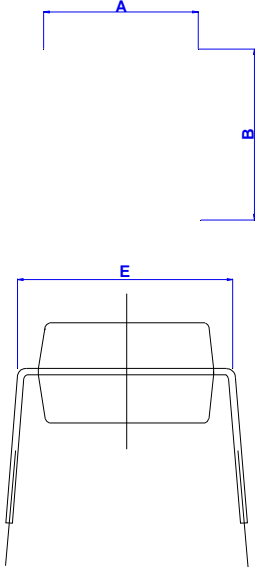


t

5

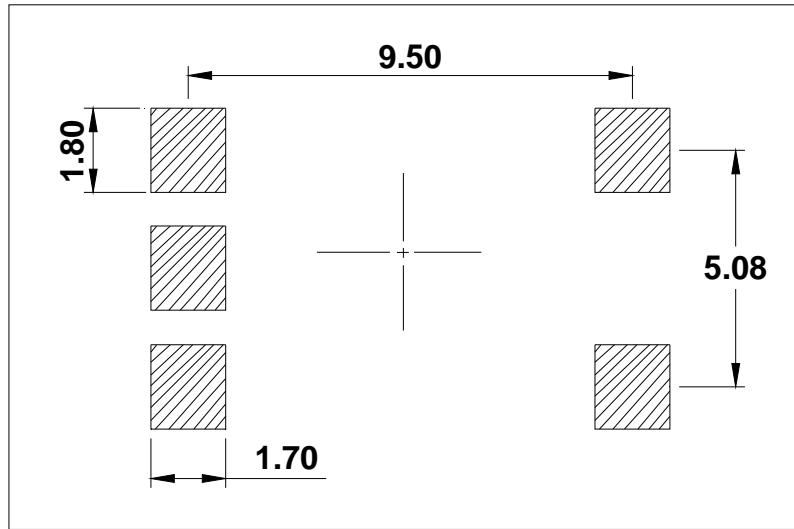
y

Standard DIP Type:



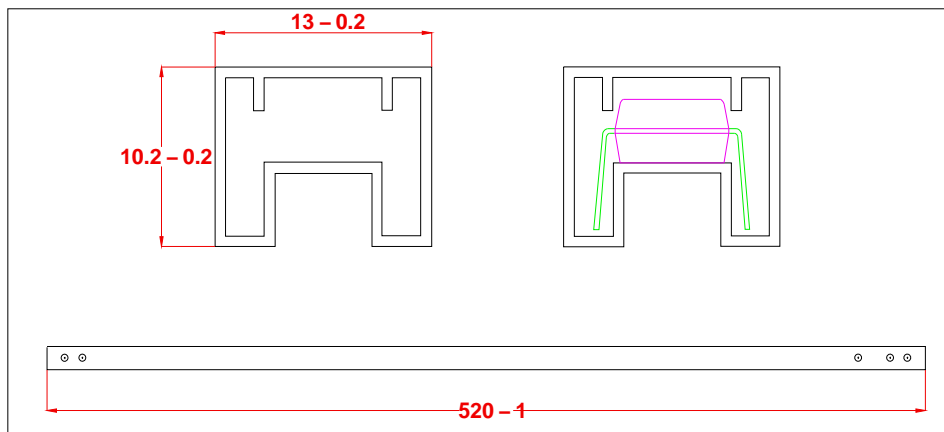
5

Option SMD



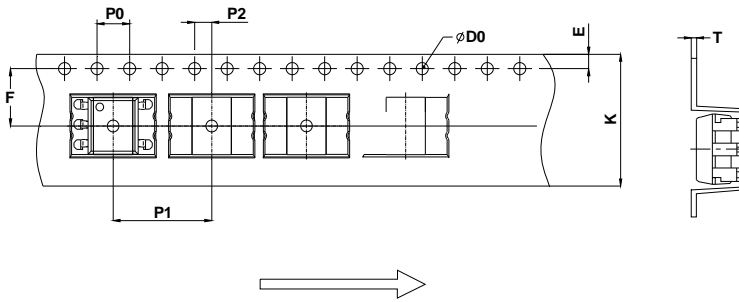
5

Standard DIP



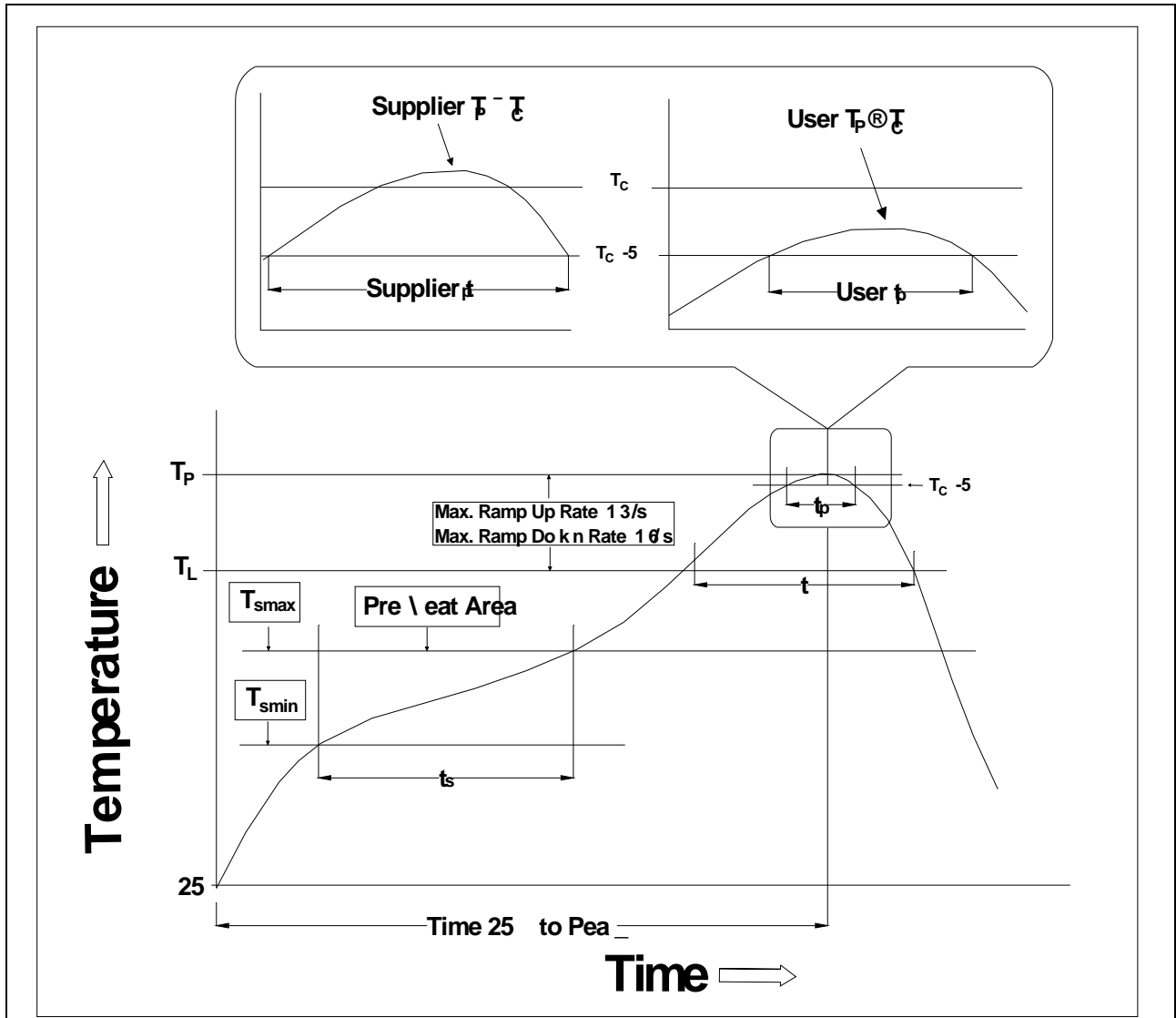
5

Option S/L



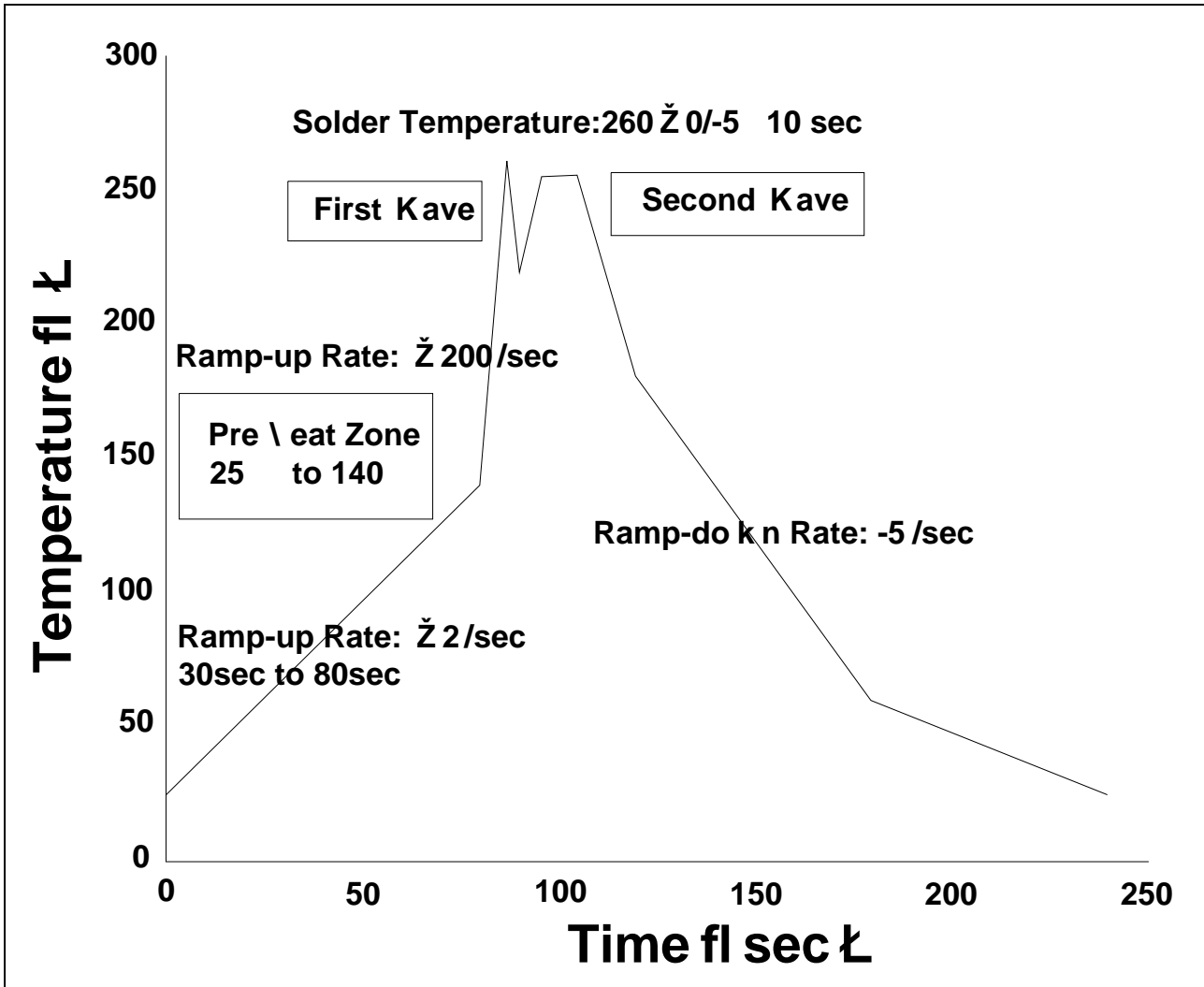
Re Z.	Dimensions					
	Millimeters			Inc \ es		
	Min.	Typ.	Max.	Min.	Typ.	Max.
D0		1.50	1.60		0.059	0.063
P0	3.90	4.00	4.10	0.154	0.157	0.161
P1	11.90	12.00	12.10	0.469	0.472	0.476
P2	1.90	2.00	2.10	0.075	0.079	0.083
E	1.65	1.75	1.85	0.065	0.069	0.073
F	7.40	7.50	7.60	0.291	0.295	0.299
T	0.35	0.40	0.45	0.014	0.016	0.018
K	15.70	16.00	16.30	0.618	0.630	0.642

Temperature Profile



Temperature Min. (Tsmin)	150
Temperature Max. (Tsmax)	200
Time (ts) - From (Tsmin) to (Tsmax)	60-120 seconds
Ramp-up Rate (tL to tP)	3 /second max.
Preheat Temperature (TL)	217
Time (tL) Maintained Above (TL)	60-120 seconds
Peak Body Package Temperature	260 ± 5
Time (tP) at Peak	10 seconds
Ramp-down Rate (tP to tL)	6 /second max.

‡ ° †9 o \ O59 k LbD



I ° b5 o \ O59 k LbD . ' o \ O59 k LbD L k \ b

Solderin [Temperature	360w5
Solderin [Time	3s max.



Note:

1. Re Z lo k solderin [is recommended at t \ e temperatures and time n, no more t \ an t \ ree times.