



ACJT 1

11 AT

RC

R A.1

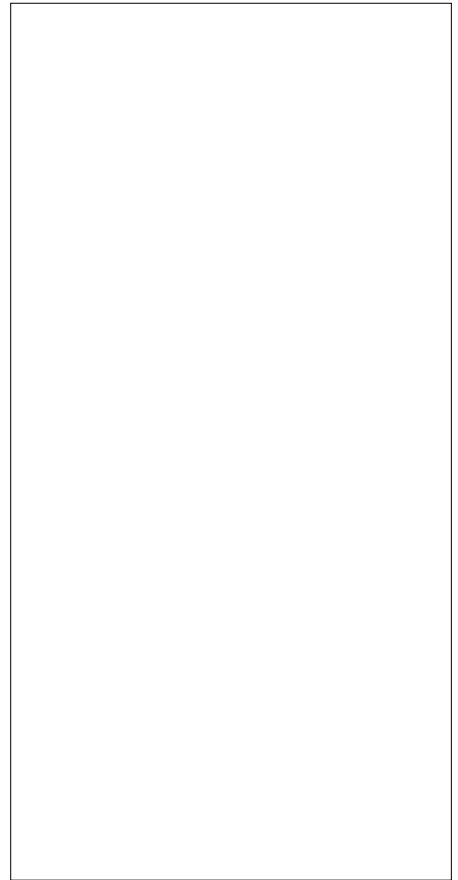
D

J

11 1 1 16

1) 6

D



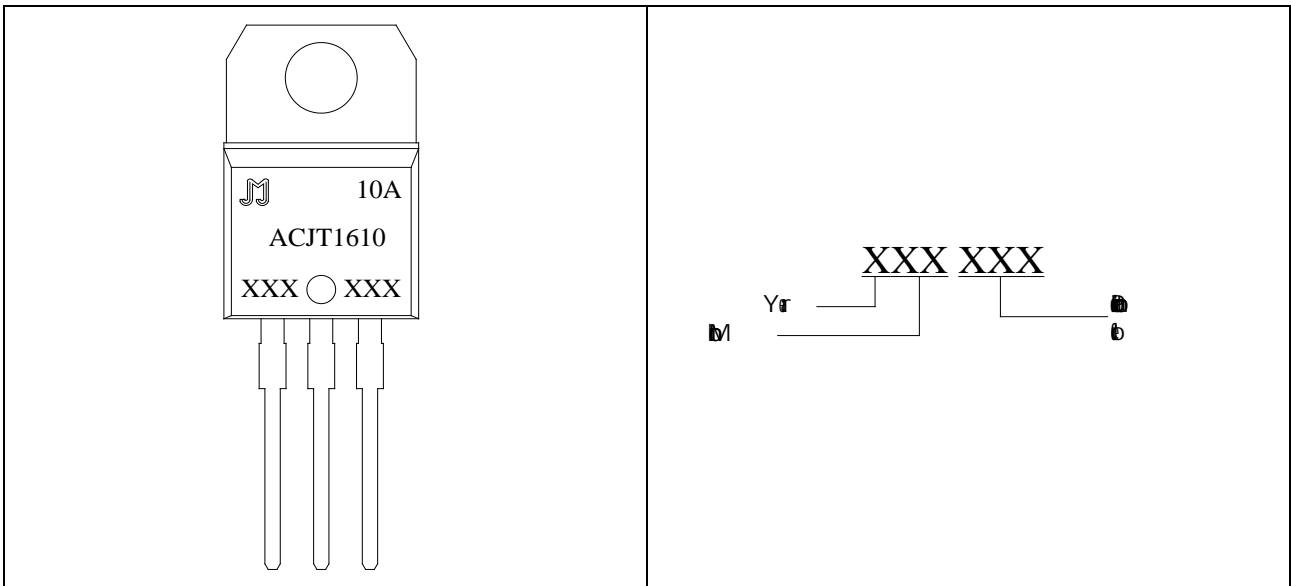
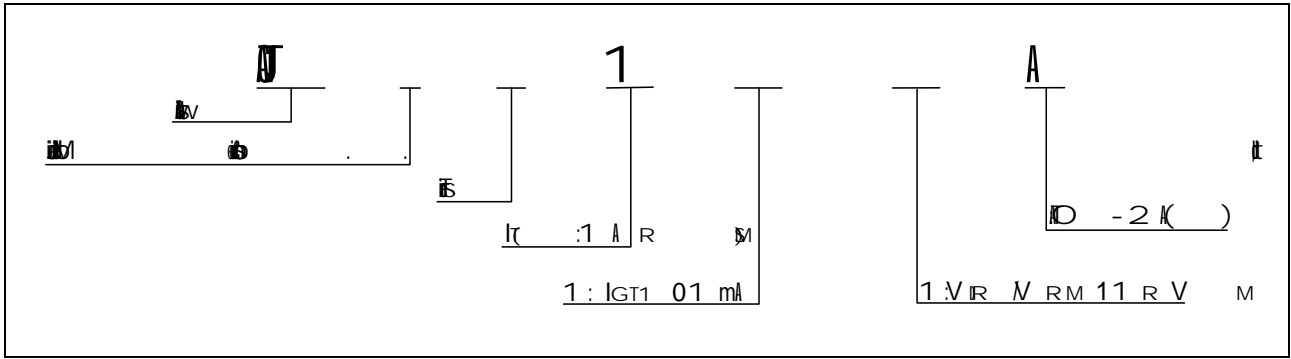
I_G	$(j=2, 5)$	P_G	(m)	0.1	W
I_G		P_{GM}		1	W
V_p	$(j=2, 5)$	V_p		4	M

Table 1: Electrical Characteristics (at $T_j = 25^\circ C$)

Symbol	Test Conditions	Q	Unit	Value	Min
I_{GT}	$V_D = 1, I_{33}$	-	M	1	mA
V_{GT}		-	M	1	V
V_{GD}	$V_D = V_R, T_j = 1M$ $R_{3, k}$	-	M	0	V
I_L	$I_G = 1, I_{GT}$	-	M	2	5 mA
				35	
I_H	$I_T = 50mA$		M	2	mA
V_{IT}	$V_D = 6, V_{GD} = 7, T_j = 1$		M	30	V
t_{tr}	$G_{91}, G_{WF}, j = 2V, 7$		M	4	ms
t_b	$I_G = 2 mA, I_A = 20mA, I_R = 2 mA$ $T_j = 25$		Q TYP.	5	s
t_b				5	
V_t	$I_c = 0, p = 1$		M	1	V

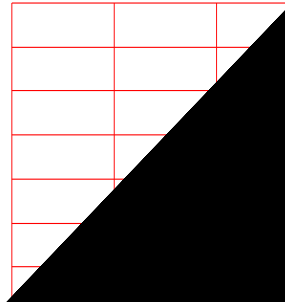
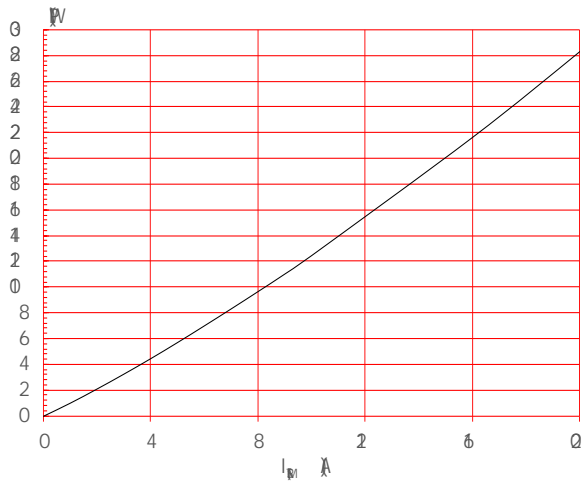
Table 2:

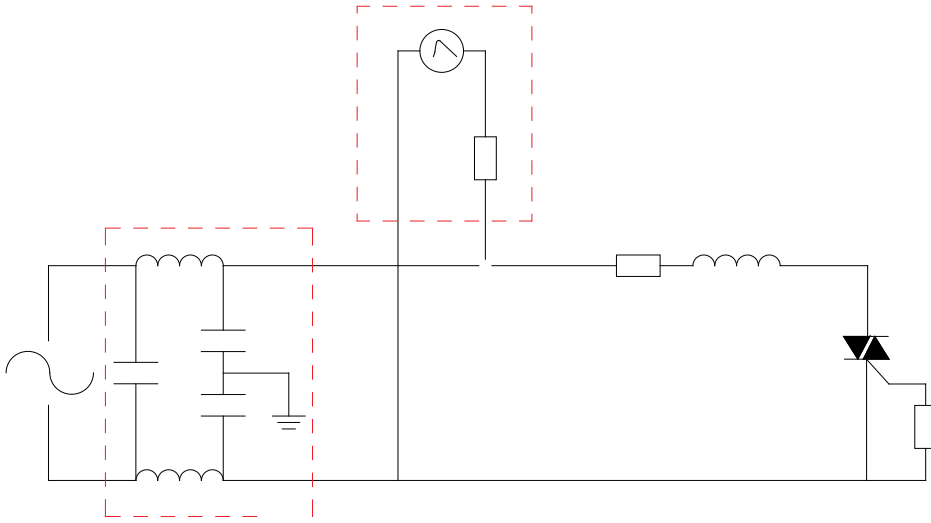
Symbol	Parameter	Value (Min)	Unit
V_{IM}	$I_{IM} = 2, p = 30, s = 2, T_j = 25$	15	V
V_D	$T_j = 1, g$		e



6 : ~~1000R~~ M
e ~~10~~

6 R ~~1000R~~ M
e ~~10~~







O	$\frac{V_{DRM}}{R_{L1}}$	G (A T)	P	Asdy. (ps)	Diversity ID
ACJT 1 1	1	1	T -2 O	0	Tub

Do unit Riso iH

it	R	by	s
p .132 3	A 1.		
O	A 1.	RGE	d

