

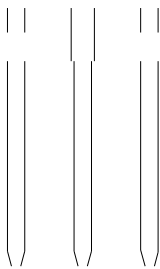
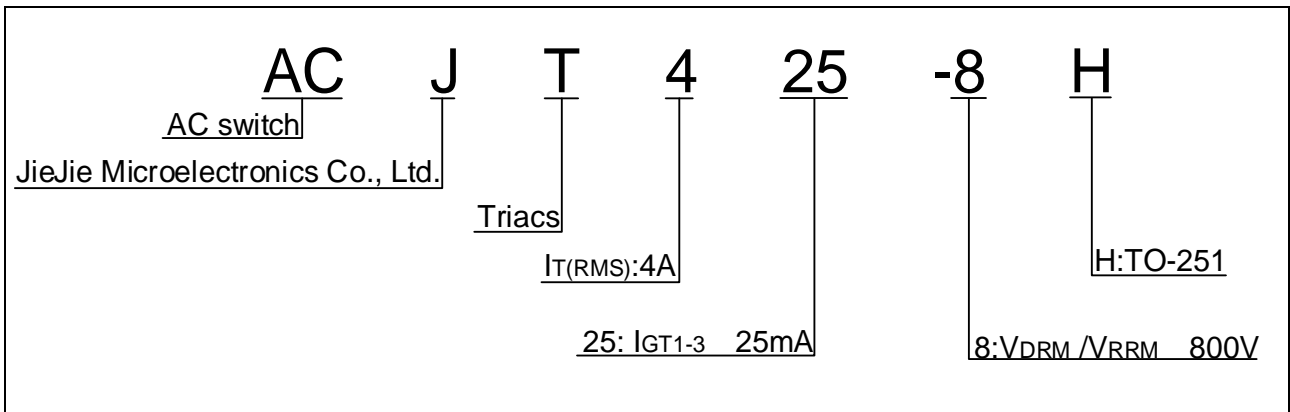




Peak pulse voltage ( $T_j=25$ ; non-repetitive, off-state; FIG.7)	$V_{pp}$	3.5	kV
--	----------	-----	----

( $T_j=25$  unless otherwise specified)

$I_{GT}$	$V_D=12V$ $R_L=33$	- -	MAX.	25	mA
$V_{GT}$		- -	MAX.	1	V
$V_{GD}$	$V_D=V_{DRM}$ $T_j=125$ $R_L=3.3k$	- -	MIN.	0.2	V
$I_L$	$I_G=1.2I_{GT}$	-	MAX.		





---

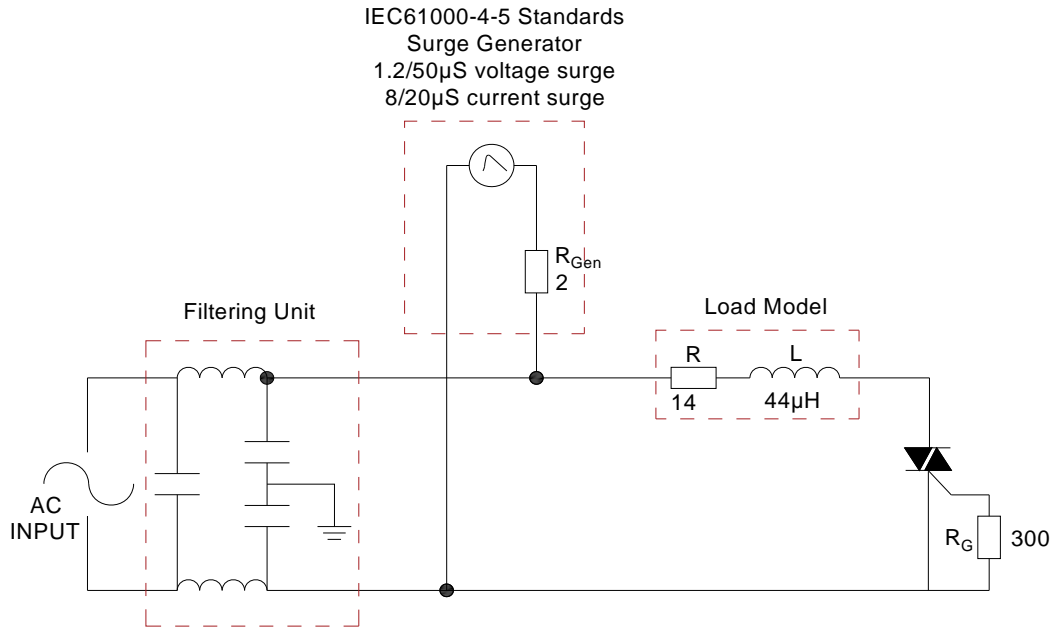
Maximum power dissipation versus RMS  
on-state current

Lined area for graphing or notes, consisting of 20 horizontal lines.

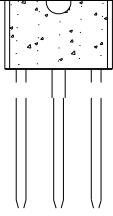
RMS on-state current versus case  
temperature



FIG.7 Test circuit for inductive and resistive loads to IEC-61000-4-5 standards









---

Jie, a M Jiangsu JieJie MicroT i 1 for -m s  
M M M

Information furnished in this document is believed to be accurate and reliable. However, Jiangsu JieJie Microelectronics Co., Ltd. assumes no responsibility for the consequences of use without consideration for such information nor use beyond it. Information mentioned in this document is subject to change without notice, apart from that when an agreement is m yon M bje