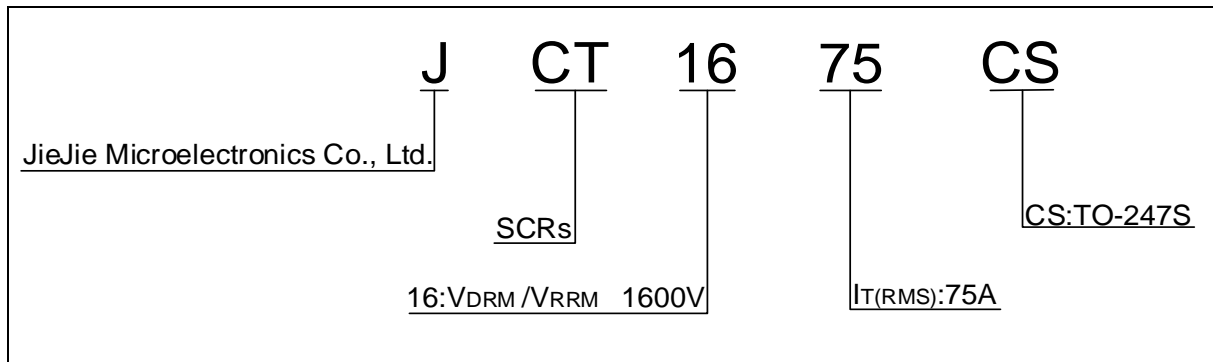


JIEJIE MICROELECTRONICS CO., LTD.

Peak gate power		P_{GM}	22	W
Peak pulse voltage ($T_j=25^\circ C$, non-repetitive, off- I	2	()	2	(a

ORDERING INFORMATION



MARKING

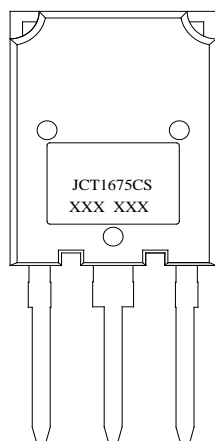
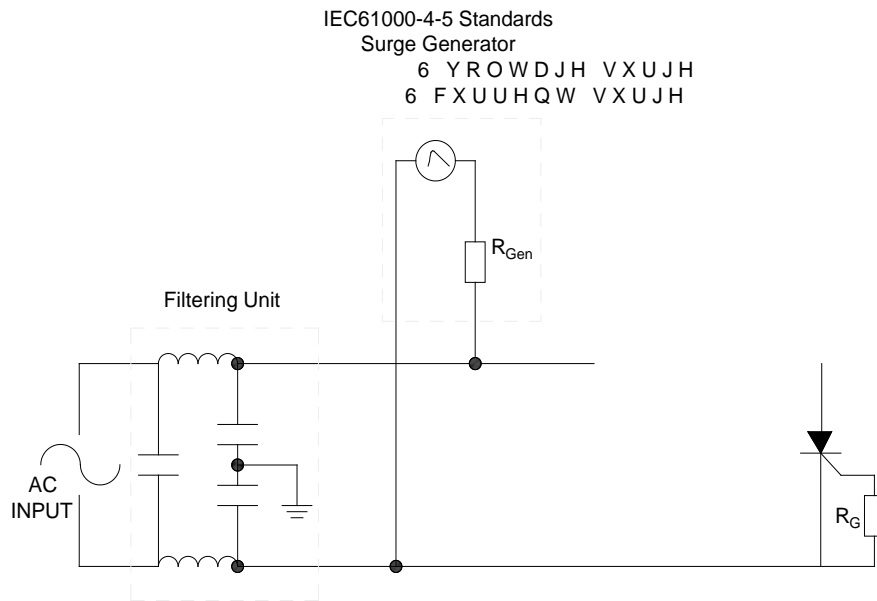


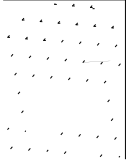
FIG.1: Maximum power dissipation versus
RMS on-state current

FIG.2: RMS on-state current versus case
temperature

FIG.7 ÖTest circuit for inductive and resistive loads to IEC-61000-4-5 standards.



PACKAGE MECHANICAL DATA



JCT1675CS

JieJie M