



JX040Q 4A Sensitive SCR

Rev.A.1.0

DESCRIPTION:

The JX040Q SCR provides high dV/dt rate with strong resistance to electrostatic discharge (ESD) and is suitable for use in hair, igniter etc. Package TO-126 is RoHS compliant.

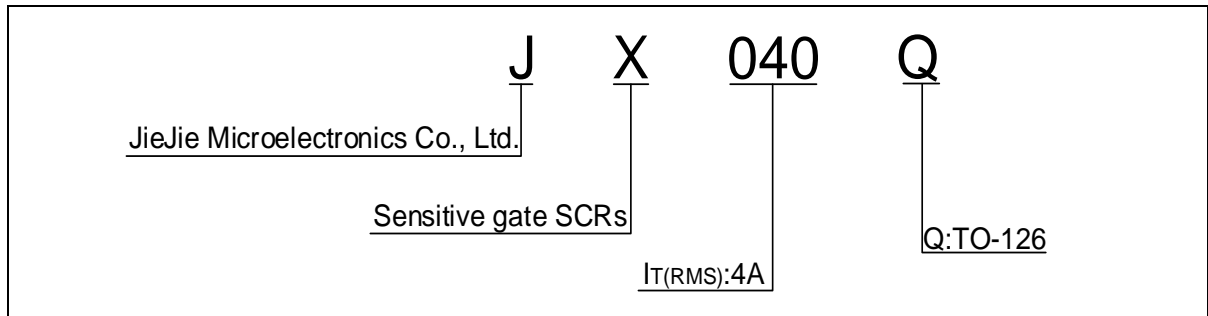
MAIN FEATURES

Symbol	Value	Unit
--------	-------	------

JX040Q

J

ORDERING INFORMATION



MARKING

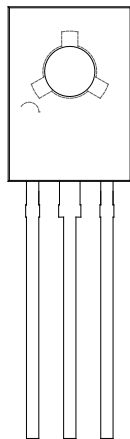


FIG.1: Maximum power dissipation versus RMS on-state current

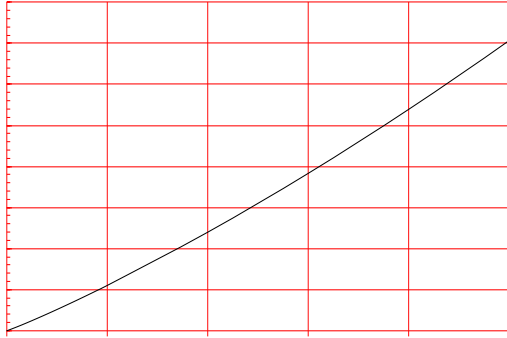
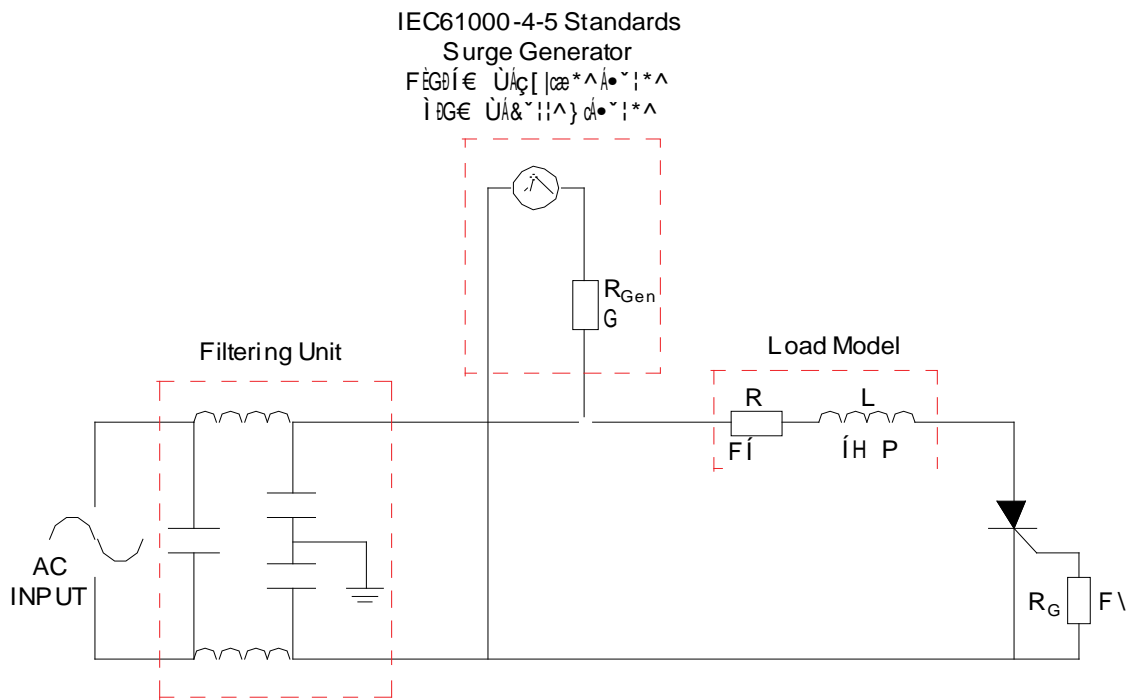


FIG.2: RMS on-state current versus case temperature

FIG.7 Test circuit for inductive and resistive loads to IEC-61000-4-5 standards.



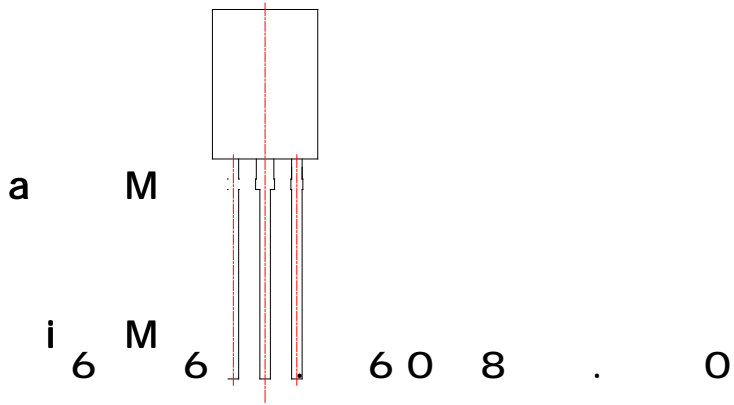
ORDERING INFORMATION

Order code	Voltage V_{DRM}/V_{RRM} (V)	IGT)	Package	Base qty. (pcs)	Delivery mode
JX040Q	200	5	Bulk Pack		

Document Revision History

Date	Revision	Changes
Apr.12, 2023	A.1.0	Last update

PACKAGE MECHANICAL DATA Ia



A

