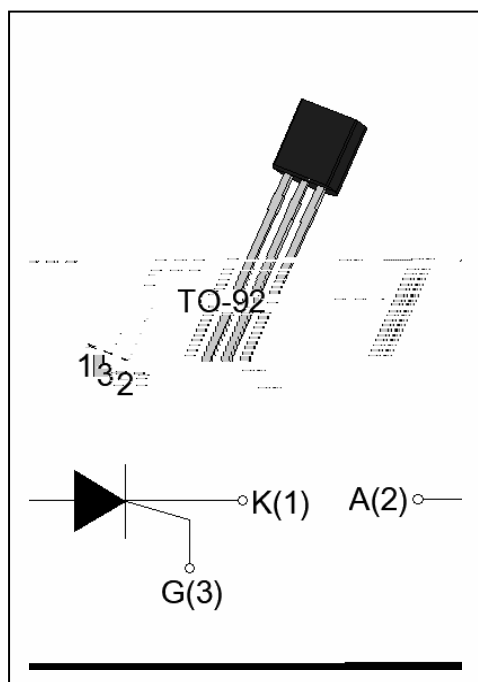




^ Z / W d / K E W

The MCR100-6 SCR provides high dV/dt rate with strong resistance to electromagnetic interface. It is especially recommended for use on residual current circuit breaker, straight hair, igniter etc. Complying with UL standards (File ref: E252906). Package TO-92 is RoHS compliant.



D / E & d h Z ^

Symbol	Value	Unit
$I_{T(RMS)}$	0.8	A
V_{DRM} / V_{RRM}	800	V
I_{GT}	200	μA

^ K b d D y / D h D Z d / E ' ^

Storage junction temperature range	T_{stg}	-40-150	
Operating junction temperature range	T_j	-40-125 ⁷	
Repetitive peak off-state voltage ($T_j=25$)	V_{DRM}	800	V
Repetitive peak reverse voltage ($T_j=25$)	V_{RRM}	800	V
Average on-state current ($T_c 060$)	$I_{T(AV)}$	0.5	A
RMS on-state current ($T_c 060$)	$I_{T(RMS)}$	0.8	A
Non repetitive surge peak on-state current ($t_p=10ms$, $T_j=25$)	I_{TSM}	8	A
Non repetitive surge peak on-state current ($t_p=8.3ms$, $T_j=25$)		9	
I^2t value for fusing ($t_p=10ms$, $T_j=25$)	I^2t	0.32	A^2s
Critical rate of rise of on-state current ($I_G=2 I_{GT}$, $f=100Hz$, $T_j=125$)	di/dt	50	$A/\mu s$
Peak gate current ($t_p=20\mu s$, $T_j=125$)	I_{GM}	1	A



Average gate power dissipation ($T_j=125$)	$P_{G(AV)}$	0.1	W
Peak gate power	P_{GM}	2	W
Peak pulse voltage ($T_j=25$; non-repetitive,off-state;FIG.7)	V_{pp}	1	kV

Operating junction temperature T_j is up to 125 when a resistor 1k is connected between Gate and Cathode. Without this resistor, the T_j is up to 110 only.

> d Z / > , Z d Z / A d n unless otherwise specified •

I_{GT}	$V_D=12V R_L=33$	-	50	200	μA
V_{GT}		-	0.6	0.8	V
V_{GD}	$V_D=V_{DRM} T_j=125$	0.2	-	-	V
I_L	$I_G=1.2 I_{GT}$	-	-	4	mA
I_H	$I_T=0.05A$	-	-	3	mA

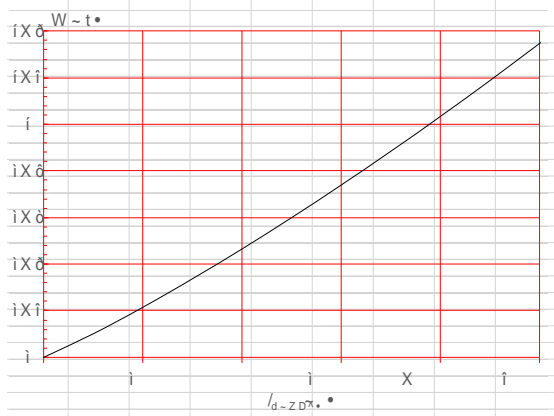


D Z</E'

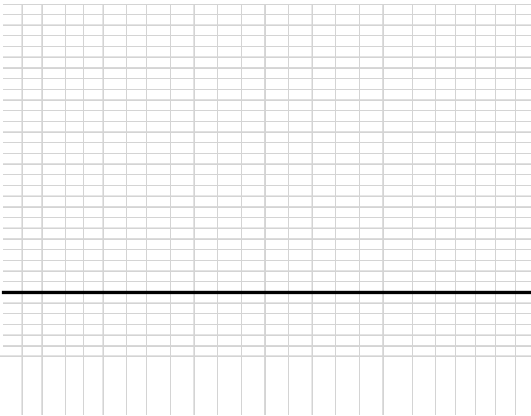
-:;:;:



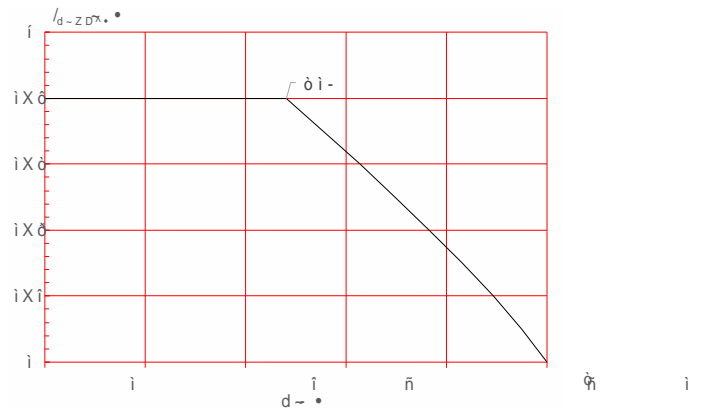
Maximum power dissipation versus RMS on-state current



Surge peak on-state current versus number of cycles



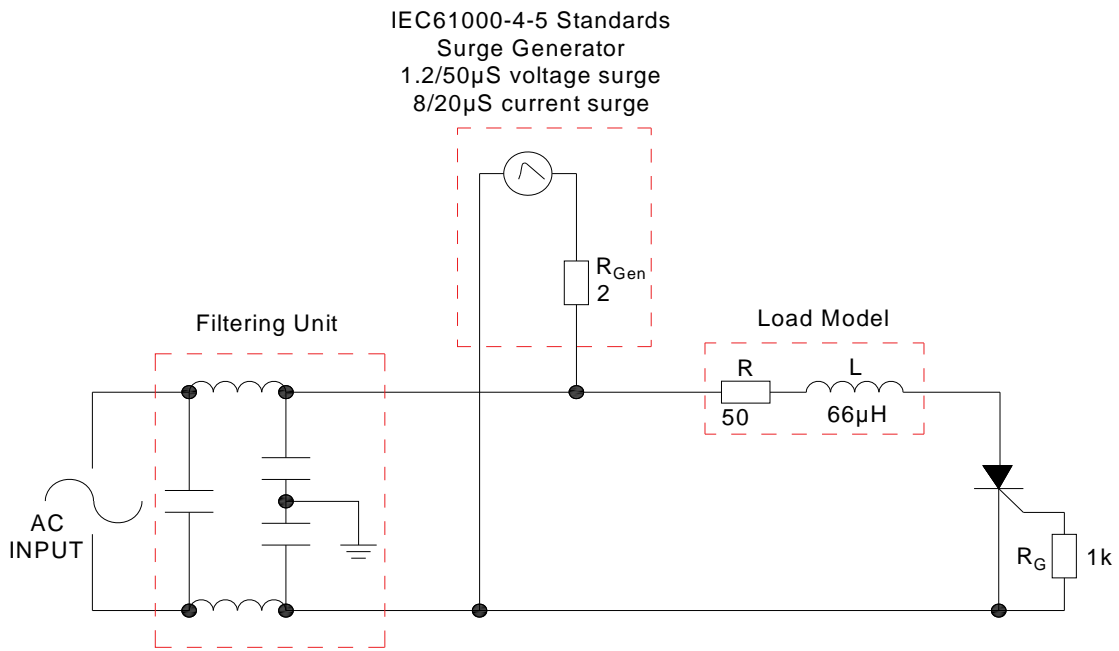
RMS on-state current versus case temperature



On-state characteristics



FIG.7 ÖTest circuit for inductive and resistive loads to IEC-61000-4-5 standards.



> &KZD/E' E ^K> Z/E'

Refer to the application note "Assembly Instructions for Thyristors in Through-hole Package" released by JieJie D] OE} o š OE}v] •



KZ Z/E' /E&KZD d/KE

Date	Revision	Changes
May.23, 2023	A.1.0	Last update
Mar.28, 2025	A.2.0	Renew PACKAGE MECHANICAL DATA
Sept.28, 2025	A.2.1	Revise PACKAGE MECHANICAL DATA




W < ' D , E / > d





Information furnished in this document is believed to be accurate and reliable. However, Jiangsu JieJie Microelectronics Co., Ltd assumes no responsibility for the consequences of use without consideration for such information nor use beyond it. Information mentioned in this document is subject to change without notice, apart from that when an agreement is signed, Jiangsu JieJie complies with the agreement. Products and information provided in this document have no infringement of patents. Jiangsu JieJie assumes no responsibility for any infringement of other rights of third parties which may result from the use of such products and information. This document supersedes and replaces all information previously supplied.

 is a registered trademark of Jiangsu JieJie Microelectronics Co., Ltd.
Copyright © 2025 Jiangsu JieJie Microelectronics Co., Ltd. All rights reserved.