

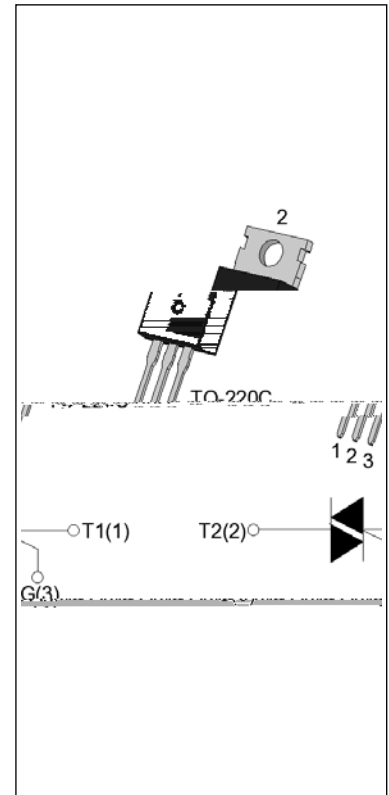


T1610H-8C 16A TRIAC

Rev.A.1.1

DESCRIPTION:

The T1610H-8C is a 16A TRIAC with a 800V V_{DRM} and 10/10/10 A I_{GT} / I_{TM} / I_{TRM}. It is suitable for AC power control applications. The device is housed in a TO-220 package and is rated for operation at 150°C. The forward current is 16A, and the peak current is 160A. The device is designed for use in AC power control applications.



MAIN FEATURES

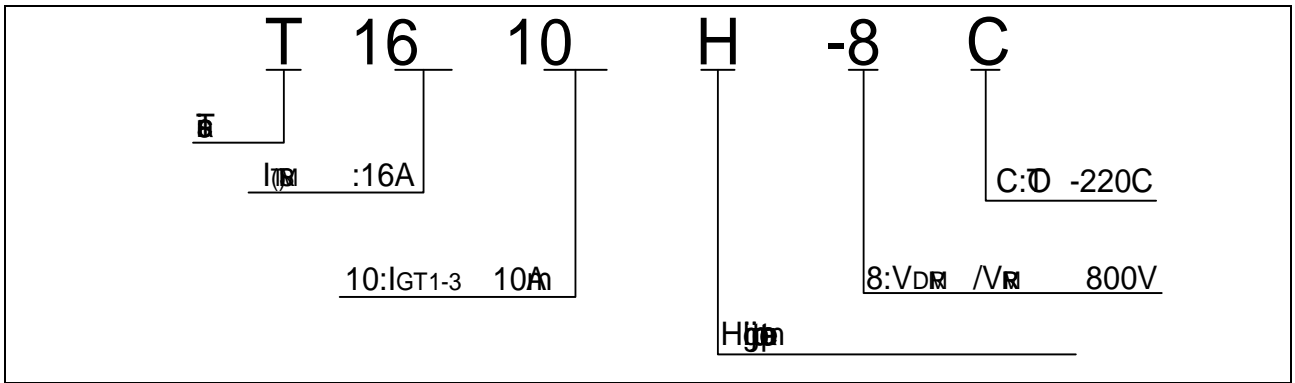
Symbol	Value	Unit
I _{TM}	16	A
V _{DRM} / V _{RM}	800	V
I _{GT} / I _{TM} / I _{TRM}	10/10/10	A

ABSOLUTE MAXIMUM RATINGS

Parameter	Symbol	Value	Unit
Storage Temperature	T _{stg}	-40-150	
Junction Temperature	T _j	-40-150	
Repetitive Peak Forward Voltage (I _T = 25 A)	V _{DRM}	800	V
Peak Forward Voltage (I _T = 25 A)	V _{RM}	800	V
Peak Forward Current (t _c = 127 μs)	I _{TM}	16	A
Peak Forward Current (t _c = 20 μs, I _{GT} = 25 A)	I _{SM}	160	A
Peak Forward Current (t _c = 16.6 μs, I _{GT} = 25 A)		176	
Peak Forward Current (t _c = 10 μs, I _{GT} = 25 A)	I ² _{TM}	72	A ² s
Peak Forward Current (I _G = 2 × I _{GT} , f = 100 Hz, T _j = 150 °C)	I _{TM}	100	A/μs
Peak Forward Current (t _c = 20 μs, T _j = 150 °C)	I _{GM}	4	A
Peak Forward Current (T _j = 150 °C)	P _{G(AV)}	1	W

T1610H-8C

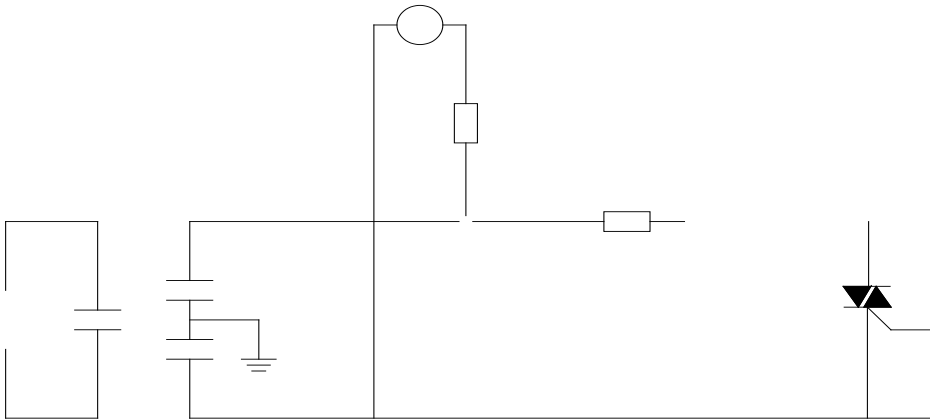
ORDERING INFORMATION



MARKING

FIG.7 测试电路

-61000-4-5 图



ORDERING INFORMATION

Order code	Voltage V _{DRM} /V _{R_{RM}} (V)	IGT(mA)	Package	Base qty. (pcs)	Delivery mode
		- -			
T1610H-8C	800	10	TO-220C	50	Tube

Document Revision History

Date	Rev	Change
Apr.10, 2023	A.1.0	Initial
04, 2025	A.1.1	Revised PACKAGE MECHANICAL DATA

PACKAGE MECHANICAL DATA



