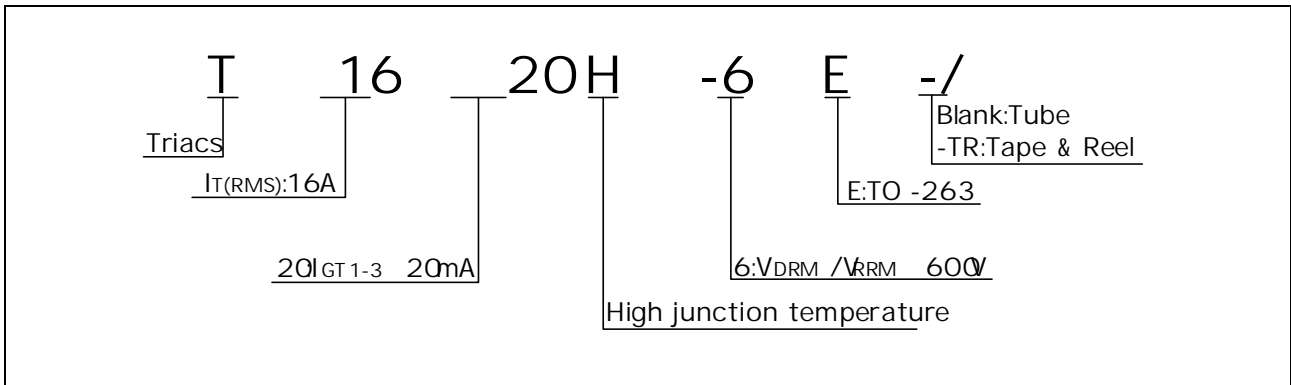




T1620H-6E 16A TRIAC

Rev.A.1480/DT

ORDERING INFORMATION



MARKING

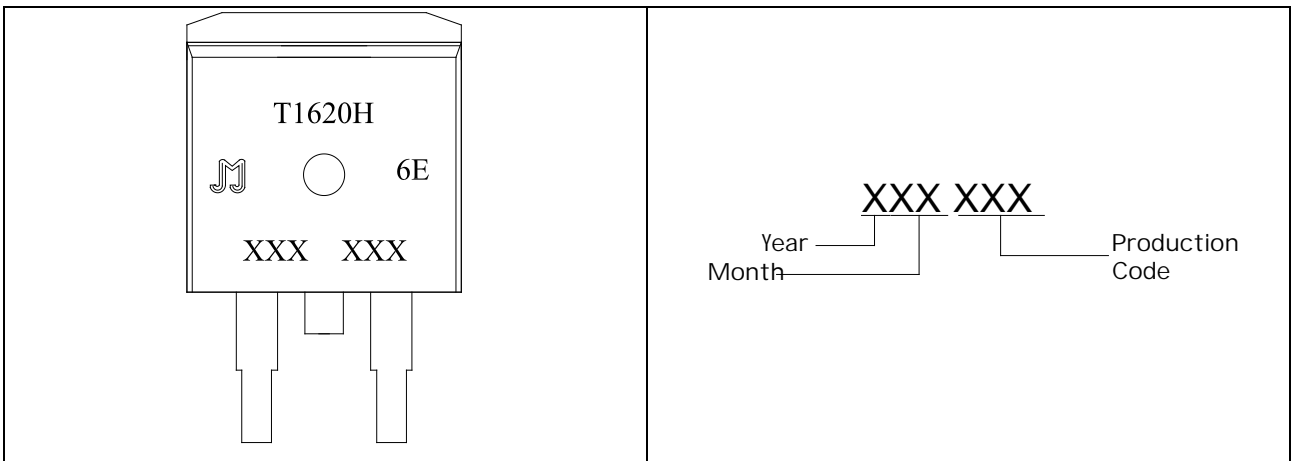


FIG.1: Maximum power dissipation versus RMS on-state current

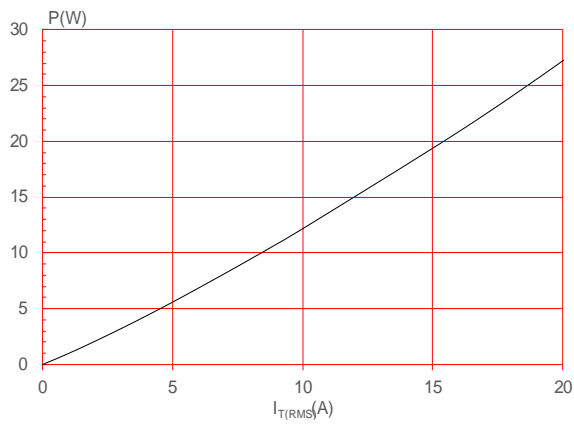


FIG.2: RMS on-state current versus case temperature

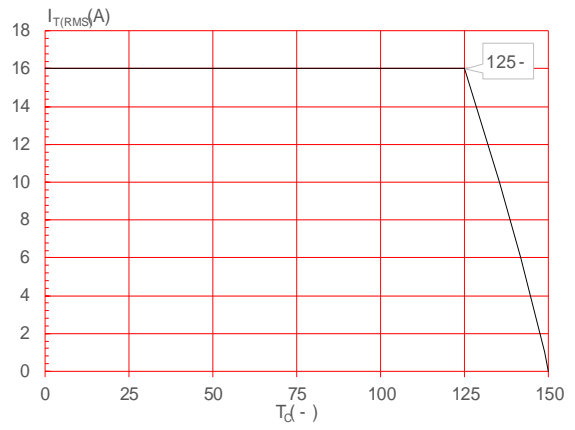


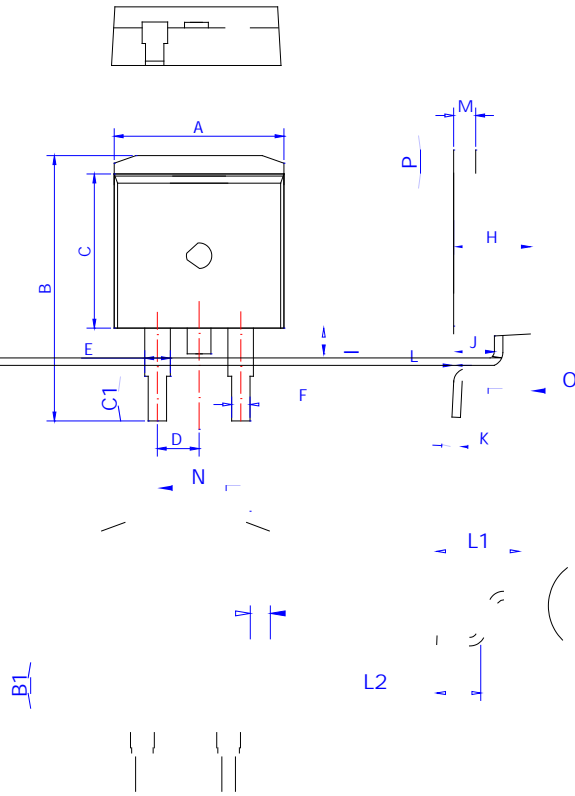
FIG.3: RMS on-state current versus ambient temperature (printed circuit board FR4,copper)

FIG.7: Relative variations of gate trigger current, holding current and latching current versus junction temperature

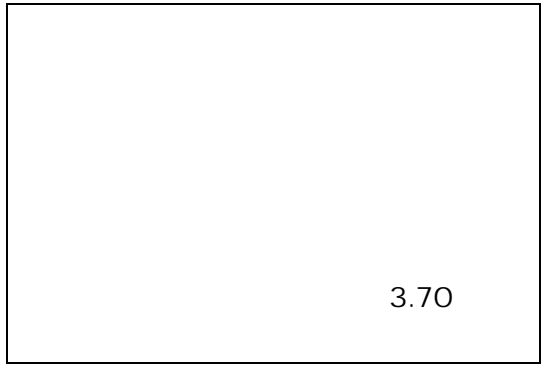
FIG.8 Test circuit for inductive and resistive loads to 100-5 standards



PACKAGE MECHANICAL DATA



| Ref. | Dimensions | | | | | |
|------|-------------|------|-------|--------|-------|-------|
| | Millimeters | | | Inches | | |
| | Min. | Typ. | Max. | Min. | Typ. | Max. |
| A | 9.90 | | 10.20 | 0.390 | | 0.402 |
| A1 | 0.80 | | 1.20 | 0.0310 | 0.471 | |
| B | 14.70 | | 15.80 | 0.579 | | 0.622 |
| C | 9.40 | | 9.60 | 0.370 | | 0.378 |
| D | .40 | | 2.80 | 0.094 | | 0.110 |
| E | 2.40 | | 2.70 | 0.094 | | 0.106 |
| F | 1.20 | | 1.50 | 0.047 | | 0.059 |
| G | 0.75 | | 0.85 | 0.029 | | 0.033 |
| H | | | | | | |
| J | 4.40 | | 4.70 | 0.173 | | 0.185 |
| J | 2.30 | | 2.70 | 0.091 | | 0.106 |
| K | 0.38 | | 0.55 | 0.015 | | 0.022 |
| M | | | | | | |



Information furnished in this document is believed to be accurate and reliable. However, Jiangsu JieJie Microelectronics Co., Ltd. assumes no responsibility for the consequences of use without consideration for such information nor use beyond it. Information mentioned in this document is subject to change without notice, apart from that when an agreement is signed, Jiangsu JieJie complies with the agreement.

Products and information provided in this document have no infringement of patents. Jiangsu JieJie assumes no responsibility for any infringement of other rights of third