



JST04A-800TW 4A TRIAC

Rev.A.1.1

DESCRIPTION:

The JST04A-800TW triac is suitable for general purpose AC switching. It can be used as an ON/OFF function in applications such as heating regulation, induction motor starting circuits, for phase control operation in light dimmers, motor speed controllers. JST04A-800TW snubberless triac is especially recommended for use on inductive loads. It can be driven directly through the MCU I/O port. By using an internal ceramic pad, JST04A-800TW provides a rated insulation voltage of 2500 VRMS, complying with UL standards (File ref: E252906). Package TO-220A is RoHS compliant.

MAIN FEATURES

ORDERING INFORMATION

| | | | | | |
|-----------------------------------|-----------|------------------|----------|----------------------------|--------------------|
| J | ST | 04 | A | -800 | TW |
| JieJie Microelectronics Co., Ltd. | Triacs | $I_T(RMS):4A$ | | | |
| | | $A:TO-220A(Ins)$ | | | $TW:I_{GT1-3} 5mA$ |
| | | | | $800:V_{DRM}/V_{RRM} 800V$ | |

MARKING

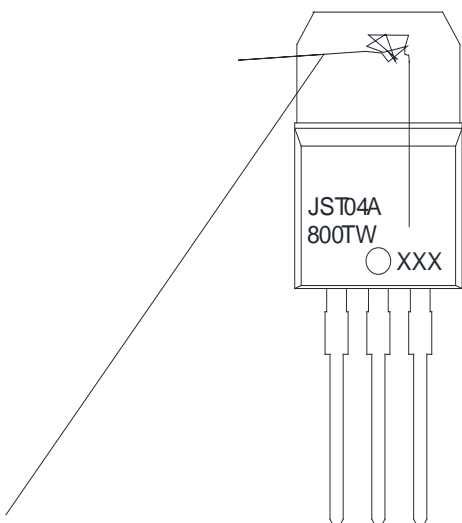


FIG.1: Maximum power dissipation versus RMS on-state current

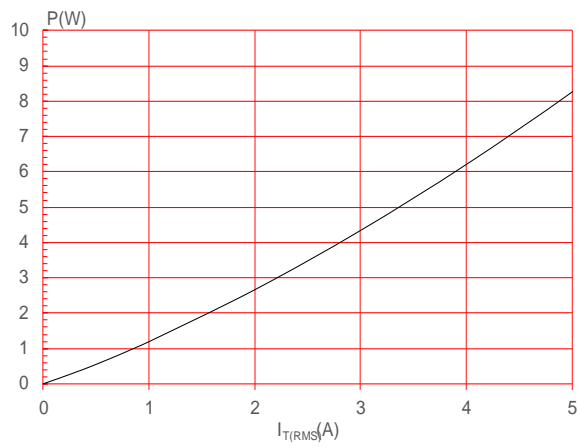


FIG.2: RMS on-state current versus case temperature

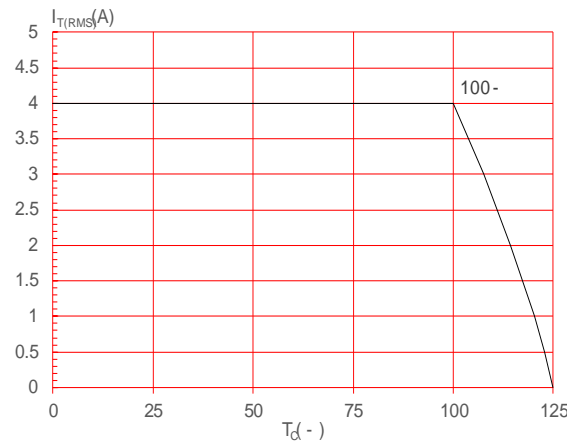


FIG.3: Surge peak on-state current versus number of cycles

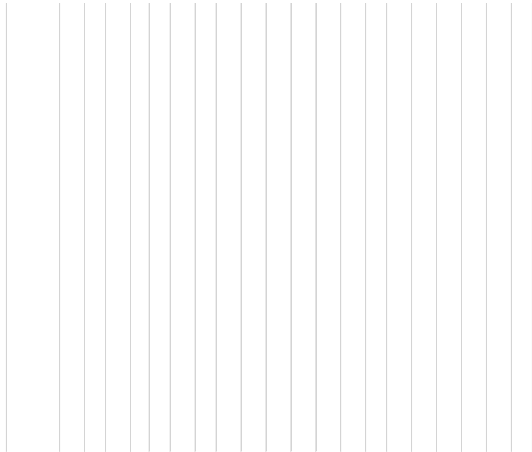


FIG.4: On-state characteristics

ORDERING INFORMATION

| Order code | Voltage V_{DRM}/V_{RRM} (V) | IGT(mA) | Package | Base qty. (pcs) | Delivery mode |
|--------------|----------------------------------|---------|--------------|--------------------|------------------|
| | | H- I- J | | | |
| JST04A-800TW | 800 | 5 | TO-220A(Ins) | 50 | Tube |

Document Revision History

| Date | Revision | Changes |
|--------------|----------|--------------------------------|
| Apr.11, 2023 | A.1.0 | Last updated |
| Oct.11, 2025 | A.1.1 | Revise PACKAGE MECHANICAL DATA |

Information furnished in this document is believed to be accurate and reliable. However, Jiangsu JieJie Microelectronics Co., Ltd. assumes no responsibility for the consequences of use without consideration for such information nor use beyond it. Information mentioned in this document is subject to change without notice, apart from that when an agreement is signed, Jiangsu JieJie complies with the agreement.

Products and information provided in this document have no infringement of patents. Jiangsu JieJie assumes no responsibility for any infringement of other rights of third parties which may result from the use of such products and information. This document supersedes and replaces all information previously supplied.



is a registered trademark of Jiangsu JieJie Microelectronics Co., Ltd.

Copyright © 2025 Jiangsu JieJie Microelectronics Co., Ltd. All rights reserved.