



## JST137E-600D 8A TRIAC

Rev.A.1.2

### DESCRIPTION:

The JST137E-600D triac is suitable for general purpose AC switching. It can be used as an ON/OFF function in applications such as heating regulation, induction motor starting circuits, for phase control operation in light dimmers, motor speed controllers. Package TO-263 is RoHS compliant.

### MAIN FEATURES

### ABSOLUTE MAXIMUM RATINGS

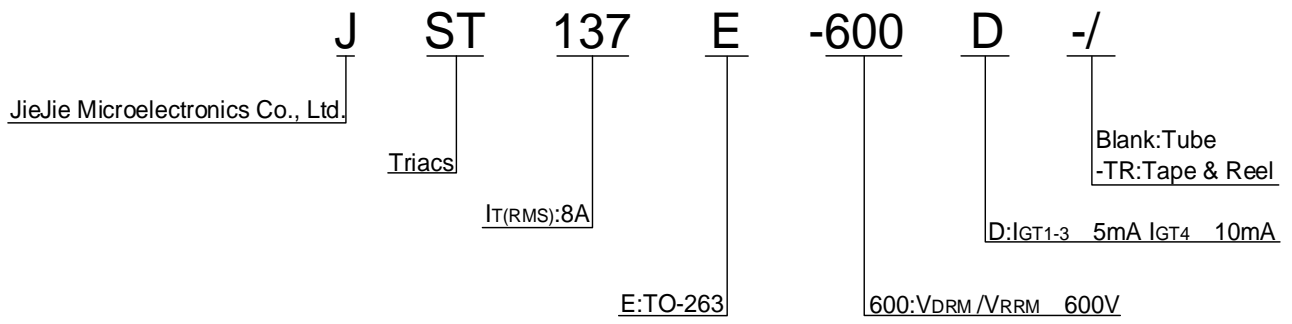
---

Parameter	Symbol	Value	Unit
-----------	--------	-------	------

ELECTRICAL CHARACTERISTICS ( $T_j=25$  unless otherwise specified)

Symbol	Test Condition	Quadrant	Value	Unit
$I_{GT}$	$V_D=12V R_L=33$	- -	MAX. 5	mA . re ET 56.8

TRIGGER INFORMATION



**FIG.1:** Maximum power dissipation versus RMS on-state current

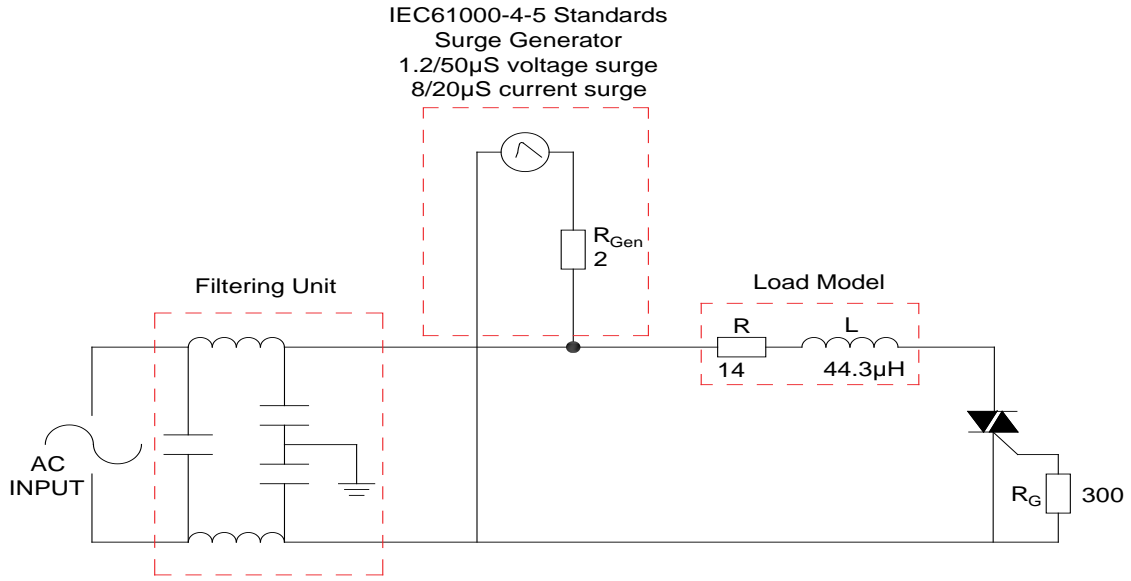


**FIG.2:** RMS on-state current versus case temperature

**FIG.7:** Relative variations of gate trigger current, holding current and latching current versus junction temperature



FIG.8: Test circuit for inductive and resistive loads to IEC-61000-4-5 standards



**ORDERING INFORMATION**

Order code	Voltage $V_{DRM}/V_{RRM}$ (V)	IGT(mA)		Package	Base qty. (pcs)	Delivery mode
		-	-			
JST137E-600D	600	5	10	TO-263	50	Tube
JST137E-600D-TR					800	Tape & Reel

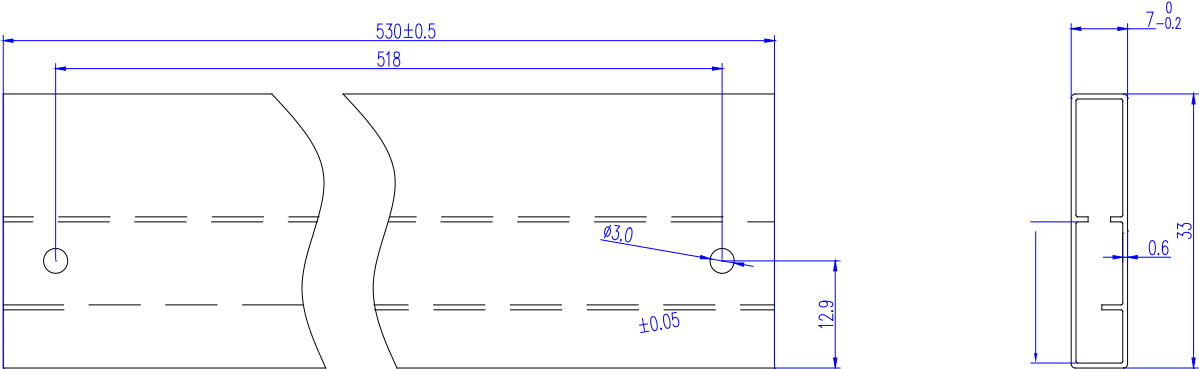
**Document Revision History**

Date	Revision	Changes
------	----------	---------

Apr.


**PACKAGE MECHANICAL DATA**

DELIVERY MODE



Information furnished in this document is believed to be accurate and reliable. However, Jiangsu JieJie Microelectronics Co., Ltd. assumes no responsibility for the consequences of use without consideration for such information nor use beyond it. Information mentioned in this document is subject to change without notice, apart from that when an agreement is signed, Jiangsu JieJie complies with the agreement.

Products and information provided in this document have no infringement of patents. Jiangsu JieJie assumes no responsibility for any infringement of other rights of third parties which may result from the use of such products and information. This document supersedes and replaces all information previously supplied.

 is a registered trademark of Jiangsu JieJie Microelectronics Co., Ltd.  
Copyright © 2025 Jiangsu JieJie Microelectronics Co., Ltd. All rights reserved.