



JST137F-800G 8A TRIAC

Rev.A.1.1

^ Z/Wd/KEW

7KH -67) * WULDF LV VXLWDEOH IRU JHQHUDO SXUSRVH
 \$& VZLWFKLQJ ,W FDQ EH XVHG DV DQ 21 2)) IXQFWLRQ
 LQ DSSOLFDWLRQ QJ V X F K X D D W H B W L Q G X F W L R Q
 PRWRU VWDUWU Q S J K B W H F X B W W D W R R Q L Q
 OLJKW GLPPHUV FRQWURSRVSHUHG %\ XVLQJ DQ
 H[WHUQDO SODVWLF) SDFNSURHYL-GHV D UDWHG
 LQVXODWLRQ YROWD FRPSO\LQJ 5ZLWK 8/
 VWDQGDUGV)LOH UHI (3DFNDJH 72) LV
 5R+6 FRPSOLDQW

D /E & dhZ ^

^K>hd D y/DhD Z d/E'^

Parameter	Symbol	Value	Unit
6WRUDJH M X S H F W L R Q U W H L P D Q J H	v_{WJ}	7	
2SHUDWLQJ W H K Q S H W L D R Q X U H U D Q J M		7	
5HSHWLWLYH SHDN R M I V W D W H 9 5 R O W D J H 7	I_{5R}	7	9
5HSHWLWLYH SHDN W H Y H U V H Y 6 0 W D J H 7	I_{60}	7	9
506 RQ V W D W H 0 F X U U H Q W 7	I_{7506}		
1RQ U H S H W L W L Y H V X U J H S H D N R Q V W D W H F X U U H Q W			\$
IXOO F _s \FOH M W			\$
1RQ U H S H W L W L Y H V X U J H S H D N 7 6 0 R Q V W D W H F X U U H Q W			\$
IXOO F _s \FOH P V W 7			\$
,W Y D O X H I R U P X V L Q J W	I_{W}		\$V

&ULWLFDO BDWG RWDWHHFXUUHQW

; h,*7 Ru!%8 = ,

3 HDN SXOVH YROWDJH 7M QRQ UHSHWLWLYH RII VWDWH) , *	9SS		
--	-----	--	--

> dZ/ > , Z d Z M d / XQOHVV RWKHUZLVH VSHFLILHG

Symbol	Test Condition	Quadrant	Value	Unit
,*7	9' 9 5		0\$;	P\$
9*7		\$//	0\$;	9
9*	9' 9'50 7M 5/ N	\$//	0,1	9
/	,* ;7		0\$;	P\$

R €x0 • \$DP `S

FIG.1: 0D[LPXP SRZHU GLVVLSDWLRQ YFIG.2: 5X06 5RQ VWDWH FXUUHQW YH
RQ VWDWH FXUUHQW WHP SHUDWXUH

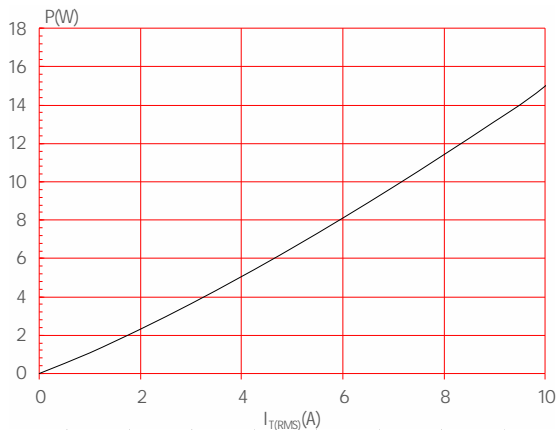
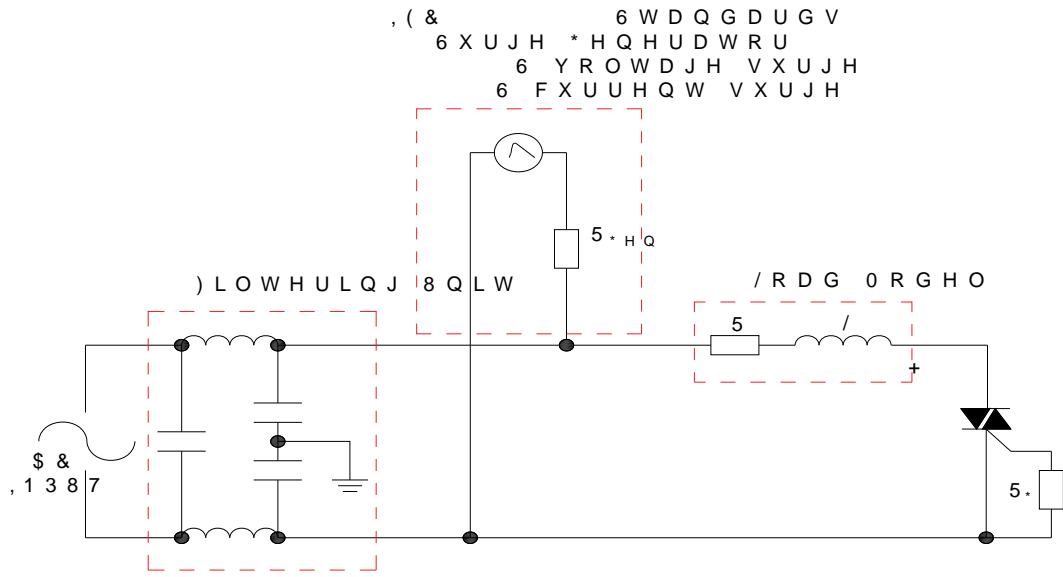


FIG.3: 6XUJH SHDN RQ VWDWH FXUUHQW YHUVXV
QXPEHU RI F\FOHV



, * Ö7HVW FLUFXLW IRU LQGXFWLYH DQG VMDQGDUGV O



> &KZD/E' E ^K> Z/E'

5HIHU WR WKH DSSOLFDFWLRQ QRWH 3\$RUMPLED\7KQVRWUJKFKRORHQ3DIRNJDJH
 - L H JieJie Microelectronics

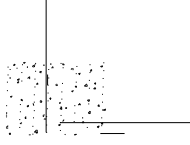
KZ Z/E' /E & KZD d/KE


Order code	Voltage V _{DRM} /V _{RRM} (V)	IGT(mA)		Package	Base qty. (pcs)	Delivery mode
		-	-			
JST137F-800G	800	50	100	TO-220F(Ins)	50	Tube

Document Revision History

'DWH	5HYLVLRQ	&KDQJHV
\$SU	\$	/DVW XSGDWHG
2FW	\$	5HYLVLRQ.\$*(0(&+\$1,&\$/'\$7\$

W < ' D , E / > d



,QIRUPDWLRQ IXUQXFKHQ ILQ WKOLHGRHG WR EH DFFXUDWH D
 -LDQJVVX -LH-LH OLFURHOHFWURQLFV &W\ I/RUGWDKHV XRIQW HQTRX
 XVH ZLWKRXW FRQVKGHQBWRBQURQ QRU XVH EHIRQG LW ,
 WKLV GRFXPHQWKLDQVXENZLMFKR XWR FRMLWHZKDSDDQ DU BPHPH
 VLJQHG -LDQJV&OILHVLZILWRKPWKH DJUHHPHQW
 3URGXFWV DQG LQIRULQDWKLRQ GRURXFLGHG KDYH QR LQIULQJ
 -LDQJVVX -LH-LH DVVXIPHLOQR\ UIRVSDQWIRQKHQJHHPJKQW RI W
 SDUWLHV ZKLFK PDK XNWXQIWXURKPSWB B XWRQDQK ILQGRFXPH
 VXSHUVHGHV DQG UHSODFHV DOO LQIRUPDWLRQ SUHYLRXV
 LV D UHJLVWHUHGDQJDXGLHDUN RUF-URHOWHFWURQLFV &
 &RS\ULJKW < -LDQLFURHLOHEMURQUEYK&RV U/HMGHUSYHG